



ClonerAlliance Box User Manual

Record Videos For Colorful Life

Keep all Videos in your hands via HDMI



ClonerAlliance Box User Manual

This documentation describes how to use ClonerAlliance Box (Model: CA-988B) device.

Copyright Notice

Copyright © ClonerAlliance Inc. All rights reserved.

Documentation Version 2.5.3

No part of this publication may be reproduced, transmitted, transcribed, stored in a retrieval system, or translated into any language or computer language, in any form or by any means, electronic, mechanical, magnetic, optical, chemical, manual, or otherwise, without the prior written permission of ClonerAlliance™ Inc.

Trademarks

Safety Notices

Before using ClonerAlliance Box, please ensure that you read and understand the safety precautions below:

1. Do not attempt to open the case of ClonerAlliance Box or modify it in any way, as this will void the warranty.
2. Keep ClonerAlliance Box away from water and other liquids, as this may cause the unit to malfunction.
3. ClonerAlliance Box may become warm during use. This does not indicate malfunction.
4. Do not place heavy objects on ClonerAlliance Box, as this may cause the unit to overheat and malfunction.
5. If the exterior of ClonerAlliance Box requires cleaning, wipe it with a soft dry cloth.
6. Do not dispose of the unit via conventional domestic waste.



HDCP

A large red prohibition sign (a circle with a diagonal cross) is overlaid on the right side of the "HDCP" text, indicating that HDCP is not supported or is prohibited.

Warning:

All ClonerAlliance products do NOT support to display or capture HDCP protected content.

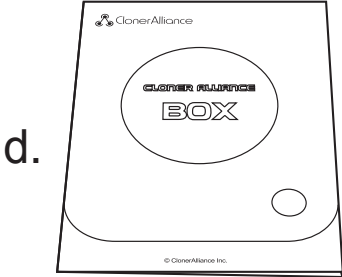
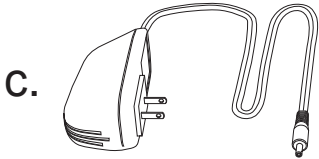
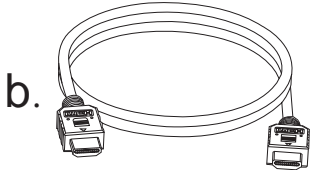
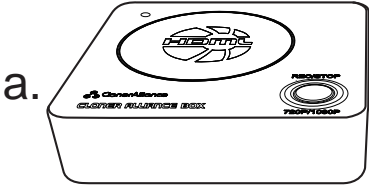
According to the DMCA (Digital Millennium Copyright Act, 17 U.S.C. § 1201), it is illegal to bypass the HDCP protection by using HDMI capture devices.

If you violate the above laws, you may face a lawsuit.

CONTENTS

- 1 Getting Started** 1
- 1.1 Box Contents1
- 2 Product Diagram** 2
- 3 How to record videos to the USB storage device** 3
- 3.1 Connect.....3
- 3.2 Record/Capture.....4
- 4 Supported Resolutions** 6
- 5 Product Specifications** 7
- 6 Frequently Asked Questions** 8
- 7 Contact Us** 12
- 8 After Sales Warranty** 13
- 9 Disclaimer** 14

1.1 Box Contents



- a. ClonerAlliance Box
- b. HDMI Cable

- c. Power Adapter
- d. User Manual

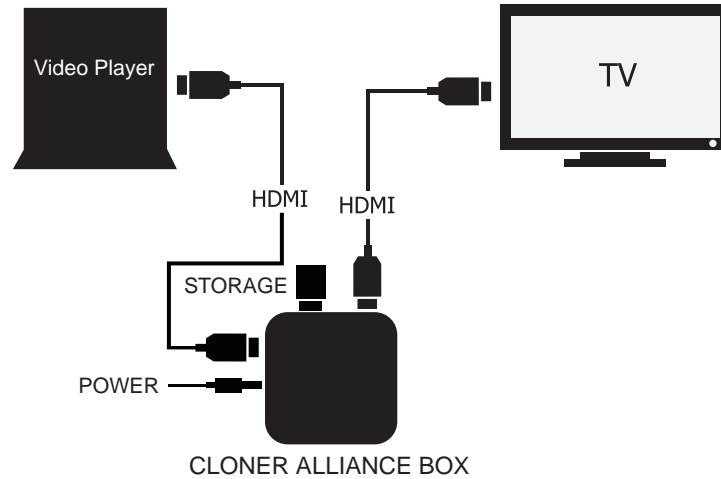
PRODUCT DIAGRAM



1. ON/OFF: Press this button to turn on/turn off the power.
2. 5V/2A: Plug the power adapter into this socket and power on ClonerAlliance Box.
3. IN: Connect an HDMI cable between the source video player and ClonerAlliance Box.
4. OUT: Connect an HDMI cable between ClonerAlliance Box and TV.
5. Storage: Insert the USB flash drive or mobile hard disk and record videos to this storage medium.
6. REC/STOP and 1080p/720p: Press this button to start or stop recording. If you press and hold this button for a few seconds, it will work as a switch between 720p and 1080p.
7. MIC: Insert the microphone plug into this jack to input voice. It can be used as a sound transmitting apparatus. Be available with Sound recording apparatus and Sound reproduction apparatus.

HOW TO RECORD VIDEOS TO THE USB STORAGE DEVICE

3.1 Connect



Your ClonerAlliance Box can capture any video from any video source/device, which is a useful Recording and playing devices for sound and image carriers. All you need is the right ports/connections!

1. Plug the power adapter into the power socket and plug the other end into the 5V/2A port of ClonerAlliance Box.
2. Connect the set-top box, DVD/Blu-ray player, PC or any other device to IN on ClonerAlliance Box via an HDMI cable.
3. Connect ClonerAlliance Box from OUT to TV via an HDMI cable.
4. Connect the external hard drive or USB stick to the “Storage” port of ClonerAlliance Box.

3.2 Record/Capture

1. After all devices are connected properly, please press the “ON/OFF” button to switch on the power of ClonerAlliance Box. After turning on ClonerAlliance Box. The LED light will be solid Blue or Green. Then turn on other devices.
2. Play your video/Games with your video player.
3. Press the REC/STOP button on ClonerAlliance Box to Start recording.
4. After recording for a period of time, press the REC/STOP button again on ClonerAlliance Box to stop recording.

Note: DO NOT remove the USB storage drive from ClonerAlliance Box in the process of recording (Flashing Blue/Green LED indicates it’ s still in the process of recording.)

TIP: The recorded file will not be separated into several 2GB files if the mobile hard disk/USB flash drive is in the NTFS format.

The LED light of ClonerAlliance Box will illuminate different colors/ways to indicate functions.

What’ s more, As a data processing apparatus, computer memory device and computer peripheral device, ClonerAlliance Box can be used with several brand of video source including your video recorders, Xbox 360/Xbox One/PS3/PS4/Wii console.

LED Status	Indication
Solid Green	The current video is at 720p/others.
Solid Blue	The current video is at 1080p.
Blink Blue/Blink Green	Recording
Blink Blue/Green alternately	Buffering, please wait.

Tips

1. When the storage space of the USB flash drive or mobile hard disk is full, ClonerAlliance Box will stop recording.
2. If you press and hold the REC/STOP button for a few seconds, it will work as a switch between 720p and 1080p. You can switch between 720p and 1080p only with the input resolution of 1080p/1080i.

SUPPORTED RESOLUTIONS

Input and Output	1920x1080 (50p), 1920x1080 (60p) 1920x1080 (24p), 1920x1080 (25p), 1920x1080 (30p) 1920x1080 (50i), 1920x1080 (60i), 1280x1024 (60p) 1280x720 (60p), 1280x768 (60p), 1280x800 (60p) 720x480 (60i), 720x480 (50i) 640x480 (60p), 720x480 (60p), 720x576 (50p)
Recording	1920x1080 (30p), 1280x720 (60p), 1280x720 (30p) 640x480 (60p), 720x480 (60p), 720x576 (50p)

PRODUCT SPECIFICATIONS

Capture format	MP4 (H.264)
Video standards (input)	NTSC, PAL
Supported disk formats	FAT32, NTFS
Input signals	HDMI
Output signals	HDMI (pass-through), USB
Bitrate	Max: 10Mbps
Note:	ClonerAlliance Box will record several 2GB files if the USB is in FAT32 format. If in NTFS format, ClonerAlliance Box will record only 1 file with greater size. Text format: TXT
Maximum storage capacity	2TB
Power supply	DC 5V/2A
Weight	5.3 oz
Dimensions	4.4 x 4.4 x 1.0 inches

FREQUENTLY ASKED QUESTIONS

You can visit <https://www.cloner-alliance.com/help/> at any time to view latest technical questions and answers.

My TV Has A Black Screen When Using ClonerAlliance Box, what should I do?

Don' t worry, it' s very easy to solve this problem. Please click the link below to find the answer.

https://www.cloner-alliance.com/help/knowledgebase/black_screen_tips

What kinds of USB flash drives do ClonerAlliance products support?

Tips to choose an USB device:

FAT32 (32GB and below size are recommended) and NTFS format are available. Note: exFAT format does not work with the product. Using NTFS formatted storage device, the video will be recorded as a single file. It' s recommended that the reading speed and writing speed are both 50Mbps or more. The faster the speed is, the better the performance will be.

What kinds of mobile hard disks do ClonerAlliance products support?

2TB capacity or below. Less than 500mA current (Under dependent power sources). 10MB/s read-write speed or above (You can use CrystalDiskMark to test speed.). FAT32 or NTFS file system on Windows 7 operating system or above. Make sure your mobile hard disk is in the MBR partition style.

Why is there a prompt “Can’ t detect USB Device” ?

Please format your USB stick or unplug the USB stick from the USB port and plug it into ClonerAlliance Box again. If the solutions don't work, please send an email to support@cloner-alliance.com for direct help.

Why does LED Keep Flashing Blue&Green?

ClonerAlliance Box will flash alternatively blue and green after you power on the product. It is normal. After all devices are connected and powered on, the LED of ClonerAlliance Box will turn to be stable BLUE or stable GREEN (NO FLASHING). If it keeps flashing, please check the steps below:

1. Please make sure your connection is correct first. Connect ClonerAlliance Box to TV via an HDMI cable (HDMI Out). Connect your source device to ClonerAlliance Box(HDMI In).
2. If it still blinks, please upgrade the latest firmware.
3. If it doesn't work, please contact our support team for direct help.

Microphone Function

For best quality voice recording, please use good quality microphone. To control voice recording, please adjust the volume of HDMI input source.



Note. Please use a microphone with a plug like this.

What' s the bonus software of ClonerAlliance Box?

HDML-Cloner Helper and MP4-Cloner are the bonus software of ClonerAlliance Box. As useful computer software for multimedia format conversion and downloadable software for multimedia format conversion, please download them at our official website:

Please download HDML-Cloner Helper at: https://www.cloner-alliance.com/files/download/HDML-Cloner_Helper_Setup.exe

Please download MP4-Cloner at: <https://www.cloner-alliance.com/files/download/mp4-cloner.exe>

HDML-Cloner Helper is a smart program to create family-video-discs/B-family-video-discs movie discs from video files, whether downloaded from video websites or recorded via HDMI. As we know, it is not only a recorded computer program for used in sound and image editing, but also a reorded computer operating program. Besides, it can burn various data files to a family-video-discs/B-family-video-discs disc. It can merge several video files into one large file for convenient and uninterrupted playback and trim one video file to keep only your desired contents. If you don' t have blank family-video-discs/B-family-video-discs discs at hand, there is a choice for you to burn video files to an ISO file on the hard disk temporarily for future burn. It supports converting video files to family-video-discs/B-family-video-discs video format so as to create family-video-discs/B-family-video-discs movie discs for shocking visual effect. For B-family-video-discs video, it even supports 1080p output. The guided interfaces show you various burn modes very clearly, which will make the family-video-discs/B-family-video-discs burn super easy.

MP4-Cloner is a free versatile program to edit MP4 video files recorded with our video capture tool. It enables you to trim, combine, convert and burn your MP4 videos (H.264 encoding). With MP4-Cloner, you can cut one MP4 video to save only

wanted sections or split it into several smaller files. On the contrary, you can also combine multiple split videos into one large file. Besides, the conversion function enables you to convert MP4 videos to other formats such as MPG, AVI, MOV and TS. What' s more, MP4-Cloner enables you to convert normal MP4 videos to family-video-discs/B-family-video-discs video format and then burn them to family-video-discs/B-family-video-discs discs. The guided interfaces show you main functions very clearly, which will make the MP4 video editing super easy.

Tip: The bundled software HDML-Cloner Helper and MP4-Cloner can only work under windows OS(Windows 7 or above).

CONTACT US

If you encounter any problem when using our products, please contact us by support@cloner-alliance.com or call 1-844-9-CLONER (toll free) and we will serve you with utmost satisfaction.

We'll offer a satisfying discount on batch purchase and affiliate program. If you are interested, please contact us by market@cloner-alliance.com.

AFTER SALES WARRANTY

ClonerAlliance Inc. provides 60-Day No Hassle Return(No Additional Fee) and 2-Year Replacement Warranty Service for all hardware. Please rest assure to use ClonerAlliance products.

DISCLAIMER

HDMI is a registered trademark of HDMI Licensing, LLC. USB is a registered trademark of USB Implementers Forum. HDMI and USB are registered trademarks of their respective companies. ClonerAlliance Inc. is not affiliated with those companies.



Toll free: 1-844-9-CLONER

Support Email: support@cloner-alliance.com

Market Email: market@cloner-alliance.com

www.cloner-alliance.com

Copyright ClonerAlliance Inc. All rights reserved.