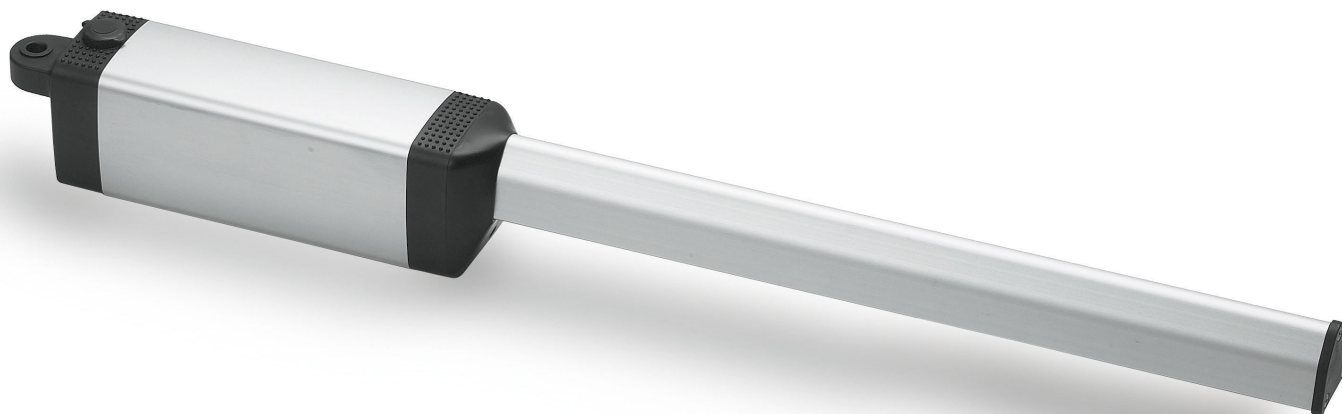


COMPATIBLE WITH:

ECOSOL LIBRA

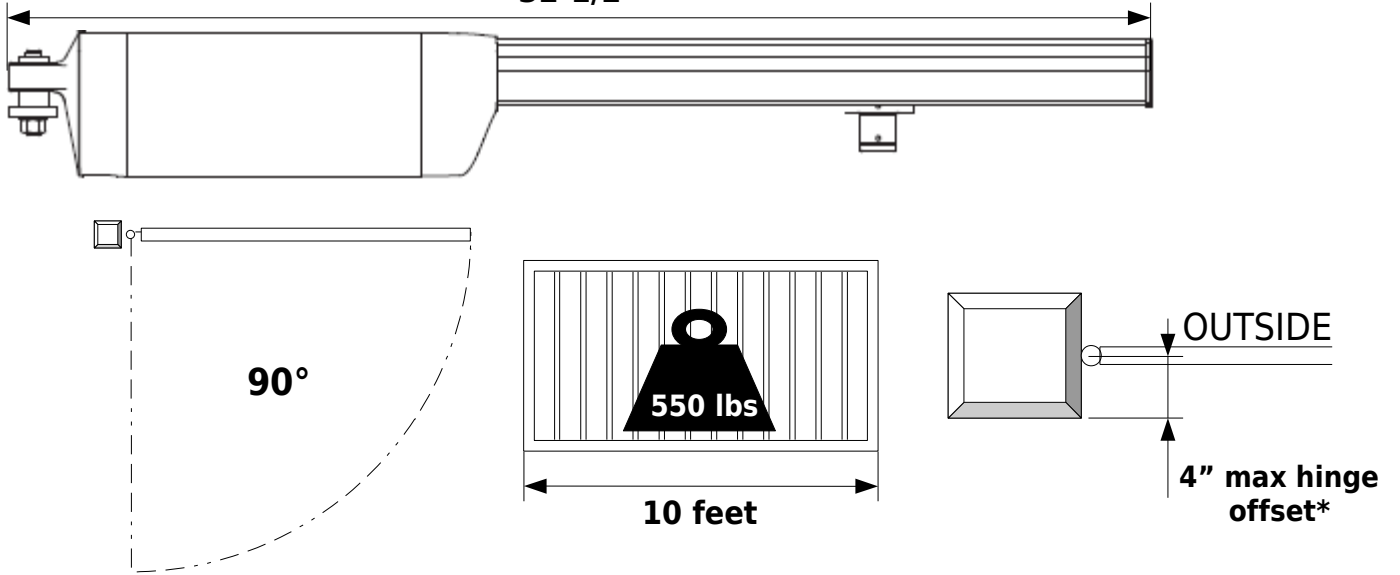


ECOSOL 
PHOBOS N BT & PHOBOS NL BT
INSTALLATION MANUAL



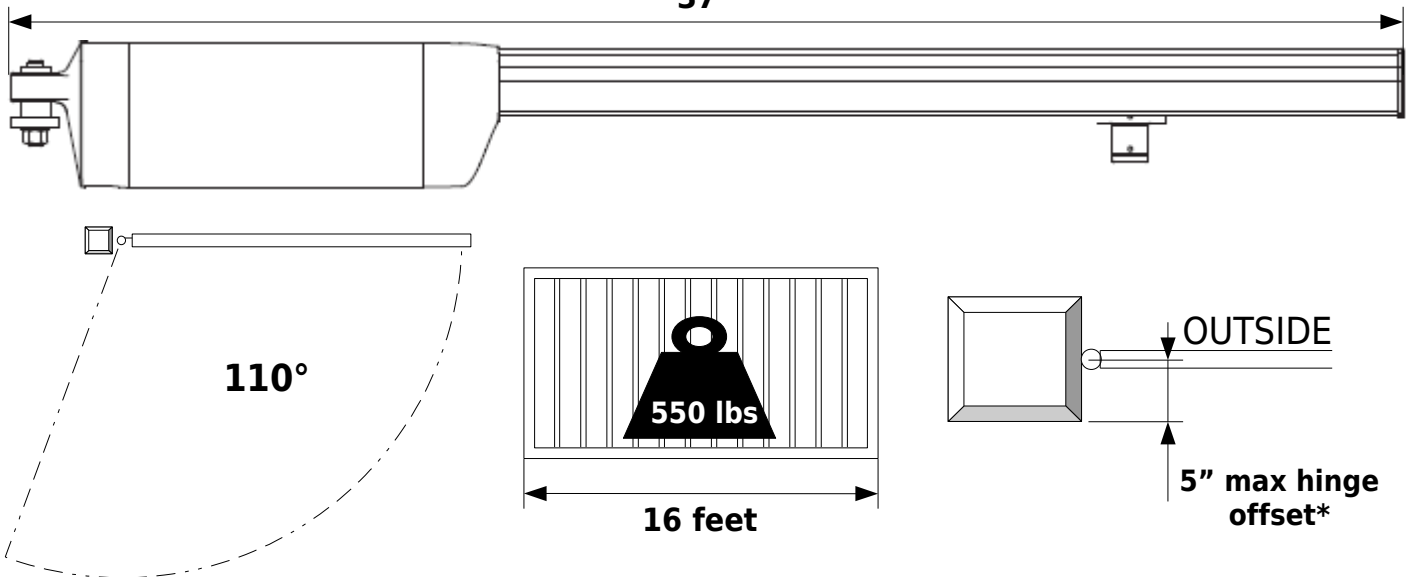
Phobos N BT

32-1/2"



Phobos NL BT

37"



* Maximum hinge offset does not apply to push to open applications

| | |
|---|----|
| APPLICATIONS AND CAPABILITIES | 02 |
| PHOBOS N BT | |
| PHOBOS NL BT | |
| IMPORTANT CONSUMER INFORMATION..... | 04 |
| PRODUCT PURCHASE AND INSTALLATION | |
| EXISTING GATE CONDITION | |
| GATE AUTOMATION INSTALLATION SAFETY | |
| UL 325 VEHICULAR GATE AUTOMATION CLASSIFICATION | |
| UL 325 ENTRAPMENT PROTECTION REQUIREMENTS | |
| UL 325 INSTALLATION RECOMMENDATIONS | 05 |
| INSTALLATION SAFETY | 06 |
| OPERATIONAL SAFETY | 07 |
| INSTALLATION CHECKLIST..... | 08 |
| DEFINING THE BRACKET GEOMETRY | 09 |
| A & B DIMENSIONS | |
| C DIMENSION | |
| SQUARE WITH THE GATE | |
| DETERMINING THE BEST GEOMETRY..... | 10 |
| IDEAL GEOMETRY | |
| USING THE ARB BRACKETS | |
| PHOBOS N BT ARB GEOMETRY | |
| PHOBOS NL BT ARB GEOMETRY | |
| ARB BRACKET LENGHTS..... | 11 |
| INSTALLING THE MOUNTING BRACKETS..... | 12 |
| INSTALLING THE ACTUATOR | 13 |
| SETTING THE LIMIT SWITCHES | 14 |
| MAINTENANCE & TROUBLESHOOTING..... | 15 |

PRODUCT PURCHASE AND INSTALLATION

This product is intended to only be installed by a qualified professional technician. The warranty on the equipment may become void if not properly installed. Warranty claims should be directed to the company or entity that sold the equipment. Purchasing non-installed equipment may later hinder any warranty claim because of conflict between the equipment provider and the installer entity. It is highly recommended for the system to be supplied and installed by a single entity.

EXISTING GATE CONDITION

Automation should be installed on a gate which is moving freely. Any issue with the smooth opening or closing or opening a gate will not be corrected by adding automation.

GATE AUTOMATION INSTALLATION SAFETY

While the manufacturer has designed the system under strict safety standards, it is ultimately the installers responsibility to follow and comply with national and local laws, codes and safety standards that apply to the mechanical, electrical and operational aspects of the gate automation system. These include but are not limited to: safety standards established by entities like Underwriters Laboratory (UL), NFPA 70, or codes and laws stated by corresponding state, county or municipality.

While it may not be compulsory, we highly recommend following UL 325 safety standards.

UL 325 VEHICULAR GATE AUTOMATION CLASSIFICATION

This system can be used in Class I, Class II and Class III applications.

- CLASS I** - RESIDENTIAL VEHICULAR GATE OPERATOR - A vehicular gate operator (or system) intended for use in a home of one-to four single family dwelling, or a garage or parking area associated therewith.
- CLASS II** - COMMERCIAL/GENERAL ACCESS VEHICULAR GATE OPERATOR - A vehicular gate operator (or system) intended for use in a commercial location or building such as a multi-family housing unit (five or more single family units), hotel, garages, retail store, or other building servicing the general public.
- CLASS III** - INDUSTRIAL/LIMITED ACCESS VEHICULAR GATE OPERATOR - A vehicular gate operator (or system) intended for use in an industrial location or building such as a factory or loading dock area or other locations not intended to service the general public.
- CLASS IV** - RESTRICTED ACCESS VEHICULAR GATE OPERATOR - A vehicular gate operator (or system) intended for use in a guarded industrial location or building such as an airport security area or other restricted access locations not servicing the general public, in which unauthorized access is prevented via supervision by security personnel.

UL 325 ENTRAPMENT PROTECTION REQUIREMENTS

For all installation classes, it is required to properly adjust the inherent obstruction sensing system and install warning signs on both sides of the gate, warning pedestrians of the dangers of the automated gate system. For Class I and Class II installations, it is required to add a non-contact device, such as a photoelectric eye **OR** a contact device such as a gate edge. For Class III installations it is required to add a non-contact device, such as a photoelectric eye, **AND** a contact device such as a gate edge **OR** an audio alarm such as a siren, horn or buzzer.

1. Install the gate operator only when:

- a. The operator is appropriate for the construction and the usage class of the gate.
- b. All openings of a horizontal slide gate are guarded or screened from the bottom of the gate to a minimum of 4' (1.2 m) above the ground to prevent a 2-1/4" (6 cm) diameter sphere from passing through the openings anywhere in the gate, and in that portion of the adjacent fence that the gate covers in the open position.
- c. All exposed pinch points are eliminated or guarded, and guarding is supplied for exposed rollers.

2. The operator is intended for installation only on gates used for vehicles. Pedestrians must be supplied with a separate access opening. The pedestrian access opening shall be designed to promote pedestrian usage. Locate the gate such that persons will not come in contact with the vehicular gate during the entire path of travel of the vehicular gate.

3. The gate must be installed in a location so that enough clearance is supplied between the gate and adjacent structures when opening and closing to reduce the risk of entrapment. Swinging gates shall not open into public access areas.

4. The gate must be properly installed and work freely in both directions prior to the installation of the gate operator.

5. Controls intended for user activation must be located at least six feet (6') away from any moving part of the gate and where the user is prevented from reaching over, under, around or through the gate to operate the controls. Outdoor or easily accessible controls shall have a security feature to prevent unauthorized use.

6. The Stop and/or Reset (if provided separately) must be located in the line-of-sight of the gate. Activation of the reset control shall not cause the operator to start.

7. A minimum of two (2) WARNING SIGNS (supplied with the gate operator) shall be installed, one on each side of the gate where easily visible.

8. For a gate operator utilizing a non-contact sensor:

- a. Reference owner's manual regarding placement of non-contact sensor for each type of application.
- b. Care shall be exercised to reduce the risk of nuisance tripping, such as when a vehicle trips the sensor while the gate is still moving.
- c. One or more non-contact sensors shall be located where the risk of entrapment or obstruction exists, such as the perimeter reachable by a moving gate or barrier.

9. For a gate operator utilizing a contact sensor such as an edge sensor:

- a. One or more contact sensors shall be located where the risk of entrapment or obstruction exists, such as at the leading edge, trailing edge and post mounted both inside and outside of a vehicular horizontal slide gate.
- b. One or more contact sensors shall be located at the bottom edge of a vehicular vertical lift gate.
- c. A hard wired contact sensor shall be located and its wiring arranged so the communication between the sensor and the gate operator is not subject to mechanical damage.
- d. A wireless contact sensor such as the one that transmits radio frequency (RF) signals to the gate operator for entrapment protection functions shall be located where the transmission of the signals are not obstructed or impeded by building structures, natural landscaping or similar obstruction. A wireless contact sensor shall function under the intended end-use conditions.
- e. One or more contact sensors shall be located on the inside and outside leading edge of a swing gate. Additionally, if the bottom edge of a swing gate is greater than 6" (152 mm) above the ground at any point in its arc of travel, one or more contact sensors shall be located on the bottom edge.
- f. One or more contact sensors shall be located at the bottom edge of a vertical barrier (arm).

WARNING! An incorrect installation or improper use of the product can cause damage to persons, animals or property.

- Automation should be installed on a gate which is moving freely. Any issue with the smooth opening or closing of a gate will not be corrected by adding automation.
- Scrap packing materials (plastic, cardboard, polystyrene etc) according to the provisions set out by current standards. Keep nylon or polystyrene bags out of children's reach.
- Keep this instruction manual for future reference.
- This product was exclusively designed and manufactured for the use specified in the present documentation. Any other use not specified in this documentation could damage the product and be dangerous.
- The Company declines all responsibility for any consequences resulting from improper use of the product, or use which is different from that expected and specified in the present documentation.
- Do not install the product in explosive atmosphere.
- The Company declines all responsibility for any consequences resulting from failure to observe Good Technical Practice when constructing closing structures (door, gates etc.), as well as from any deformation which might occur during use.
- Follow and comply with national and/or local electrical codes when performing any electrical installation.
- Disconnect the electrical power supply before carrying out any work on the installation. Also disconnect any buffer batteries, if fitted.
- Fit all the safety devices (photocells, electric edges etc.) which are needed to protect the area from any danger caused by squashing, conveying and shearing, according to and in compliance with the applicable directives and technical standards.
- It is recommended to position at least one luminous signal indication device (blinker) where it can be easily seen for additional safety
- The Company declines all responsibility with respect to the automation safety and correct operation when other manufacturer's components are used.
- Only use original parts for any maintenance or repair operation.
- Do not modify the automation components, unless explicitly authorized in writing by the Company.
- Instruct the product user about the control systems provided and the manual opening operation in case of emergency.
- Anything which is not expressly provided for in the present instructions, is not allowed.
- Installation must be carried out using the safety devices and controls prescribed by the UL 325 Standard.

CHECKING INSTALLATION

Before the automated device is finally put into operation, perform the following checks meticulously:

- Make sure all components are fastened securely.
- Check that all safety devices (photocells, pneumatic safety edge, etc.) are working properly.
- Check the emergency operation control device.
- Check opening and closing operations with the control devices applied.
- Check the electronic logic for normal (or personalized) operation in the control panel.

ADJUSTING OPERATING FORCE

WARNING: Operating force is adjusted with extreme precision by means of the control unit's electronic control. Operation at the end of travel is adjusted electronically in the control panel. To provide good anti-crush safety, the operating force must be slightly greater than that required to move the leaf both to close and to open it.

CONTROL

There are various options when it comes to the control system (manual, remote control, access control with magnetic badge, etc.) depending on the installation's needs and characteristics. See the relevant instructions for the various control system options. People who use the automated device must be instructed how to control and operate it.

The installer is responsible for communicating the following information to the end-user:

This product has been designed and built solely for the purpose indicated herein. Uses not contemplated herein might result in the product being damaged and could be a source of danger.

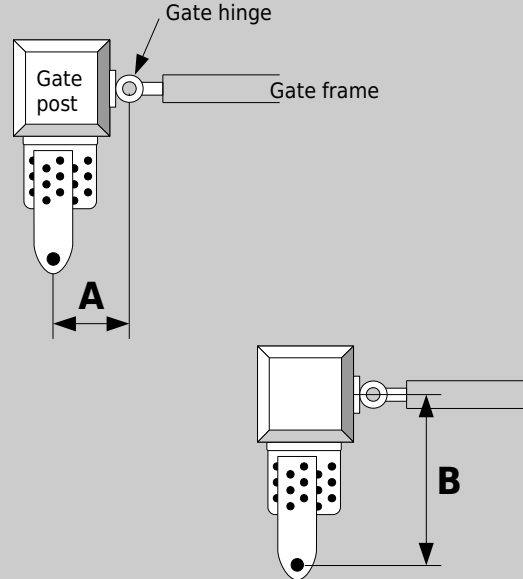
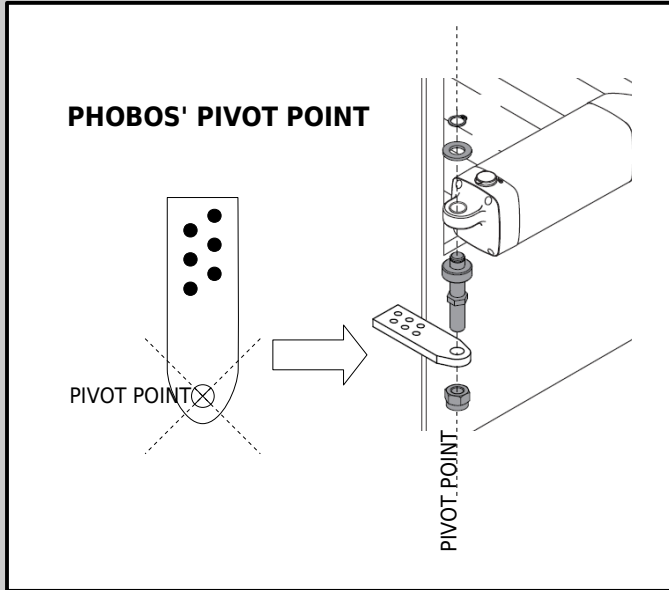
The Firm disclaims all responsibility resulting from improper use or any use other than that for which the product has been designed, as indicated herein, as well as for failure to apply Good Practice in the construction of entry systems (doors, gates, etc.) and for deformation that could occur during use. If installed and used correctly, the automated system will meet the required level of safety. Nonetheless, **it is advisable to observe certain rules of behavior so that accidental problems can be avoided:**

- Keep adults, children and property out of range of the automated system, especially while it is operating.
- Operate the system when the full path of the gate is within sight.
- It is essential to frequently check that all safety devices are in good working condition.
- This application is not meant for use by people (including children) with impaired mental, physical or sensory capacities, or people who do not have suitable knowledge, unless they are supervised or have been instructed by people who are responsible for their safety.
- Children must be supervised to ensure they do not play with the system. Keep remote controls or other control devices out of reach of children in order to avoid the automated system being operated inadvertently.
- Check the system frequently, especially hinges, cables, springs or supports, to detect any loss of balance and signs of wear or damage.
- When cleaning the outside or performing other maintenance work, always cut off mains power.
- Keep the photocells' optics and illuminating indicator devices clean. Check that no branches or shrubs interfere with the safety devices (photocells).
- Do not use the automated system if it is in need of repair. In the event of a malfunction, cut off the power, activate the emergency release to allow access and call in qualified technical personnel (professional installer).
- If the automated system requires work of any kind, employ the services of qualified personnel (professional installer).
- Have the automated system checked by qualified personnel once a year.
- Anything that is not explicitly provided for in these instructions is not allowed.
- The operator's proper operation can only be guaranteed if the information given herein is complied with. The Firm shall not be answerable for damage caused by failure to comply with the installation rules and instructions featured herein.

Descriptions and illustrations herein are not binding. While we will not alter the product's essential features, the Firm reserves the right, at any time, to make those changes deemed necessary to improve the product from a technical, design or commercial point of view, and will not be required to update this publication accordingly.

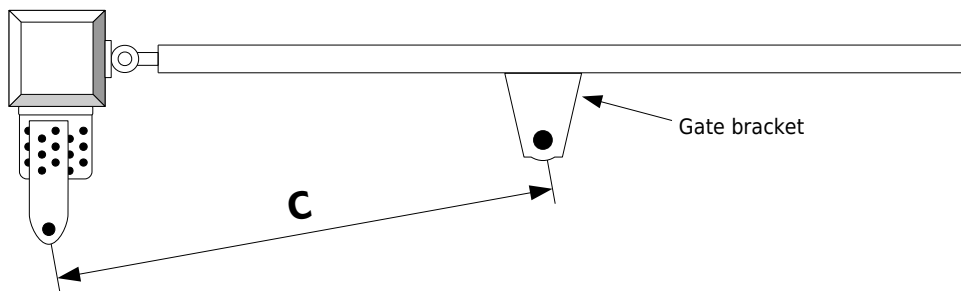
- CAREFULLY READ ALL SAFETY INFORMATION. Pages 4 - 7
- Determine the proper geometry. Pages 9 - 11.
- Install the Post bracket. Page 12
- Install the Gate Bracket. Page 12.
- Install the magnet holder. Page 12
- Wire the motors. Page 13.
- Attach the actuators to the mounting brackets. Page 16.
- Set the limit switches. Page 14.
- Proceed to install the ECOSOL Libra UL-R solar powered controller. Book 2 of 2.

A & B DIMENSIONS - For **A** and **B** dimensions, the measurement is taken from the center of the gate's hinge point to the center of the Phobos pivot point.

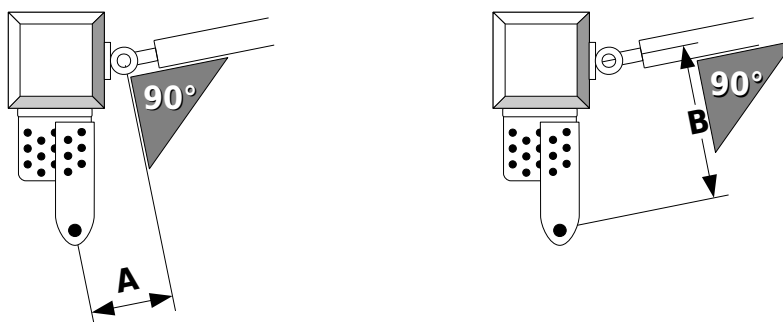


For Push-to-Open applications, please call Tech Support at 877-995-8155

C DIMENSION - For **C** dimension, the measurement is taken from the Phobos pivot point to the center of the large hole on the gate bracket **WITH THE GATE ON ITS FULLY CLOSED POSITION**.



SQUARE WITH THE GATE - It is very important that the measurements are taken using the gate frame fully closed as perpendicular angle reference. If a fully closed gate is not square with the gate post, you must make the proper angle adjustments.



IDEAL GEOMETRY - A symmetrical geometry will give you even speed and torque throughout the entire movement of the gate as well as equally strong leverage to hold the gate in position at both open and close ends of strokes. If you are welding the post bracket, when possible, use the geometry in table 1:

Table 1

| | A | B | C |
|---------------------|---------------|---------------|----------------|
| PHOBOS N BT | 5-7/8" | 5-7/8" | 27-1/2" |
| PHOBOS NL BT | 7-1/2" | 7-1/2" | 32-1/2" |

For Push-to-Open applications, please call Tech Support at 877-995-8155

USING THE ARB BRACKETS - The ARB adjustable brackets simplify the installation process. The tables 2.1 and 2.2 gives you different options depending on the three most common gate hinge offsets. These dimensions only apply to installations where the fully closed gate is square with the gate post. **DO NOT DEVIATE FROM THE DIMENSIONS ON THE TABLES**

Gate hinge offset - The gate hinge offset is the distance from the center of the gate hinge to the inside edge of the gate post

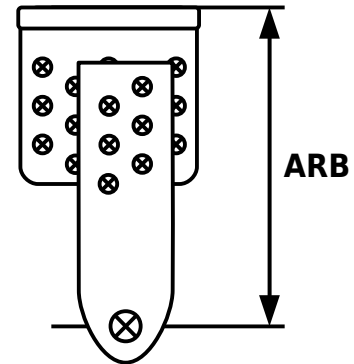
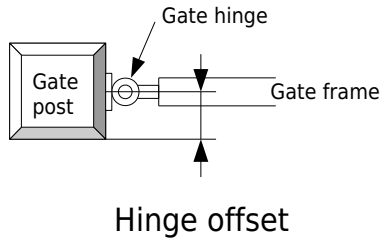


Table 2.1

**PHOBOS N BT
ARB GEOMETRY**

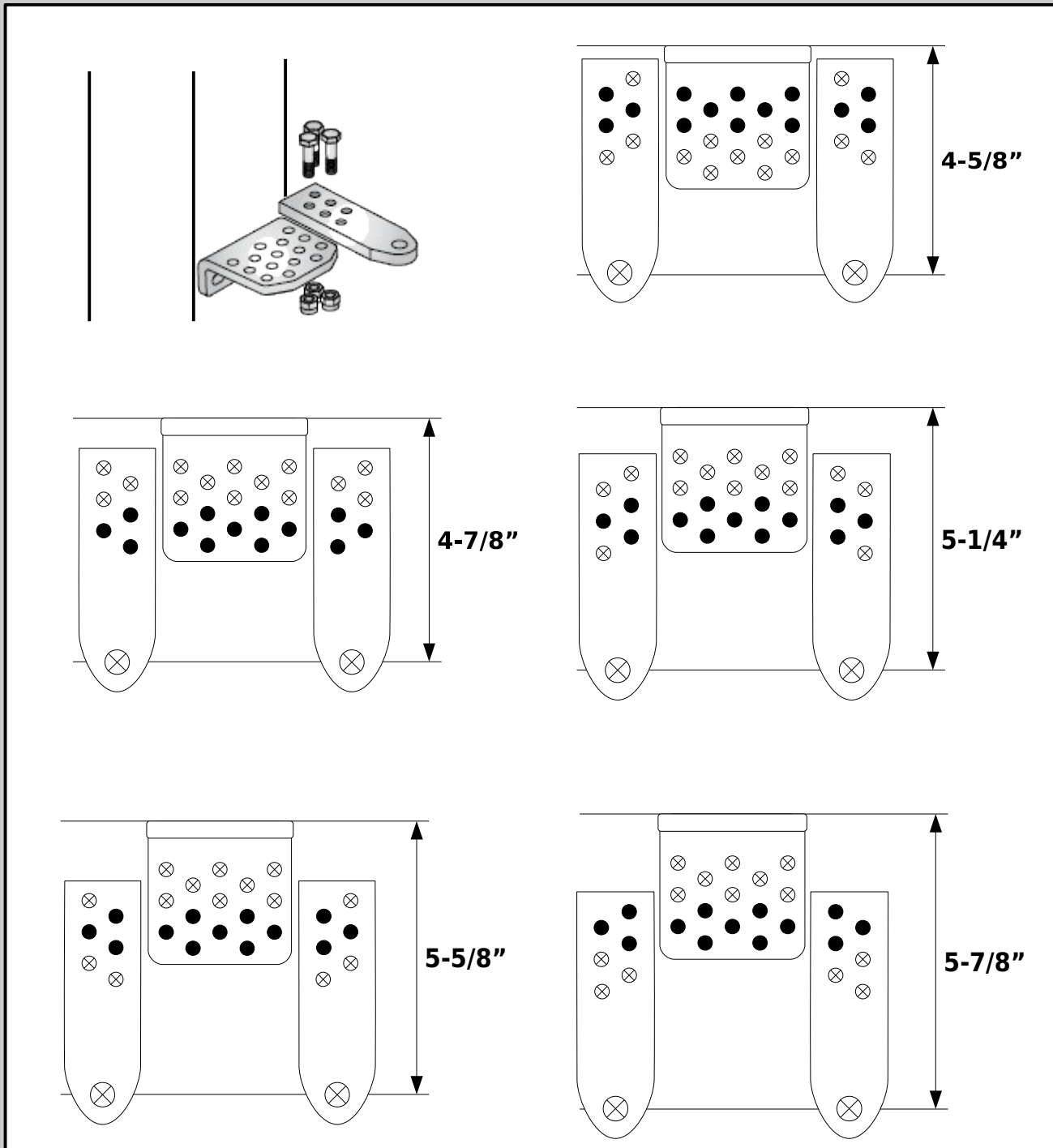
| HINGE OFFSET | A | B | C | ARB |
|---------------|---------------|---------------|----------------|---------------|
| 1-1/2" | 5-1/8" | 6-3/4" | 27-1/2" | 5-1/4" |
| 2" | 5-1/8" | 6-5/8" | 27-1/2" | 4-5/8" |
| 3" | 4" | 7-5/8" | 27-1/2" | 4-5/8" |

Table 2.2

**PHOBOS NL BT
ARB GEOMETRY**

| HINGE OFFSET | A | B | C | ARB |
|---------------|---------------|---------------|----------------|---------------|
| 1-1/2" | 7-3/8" | 7-3/8" | 32-1/2" | 5-7/8" |
| 2" | 7-1/2" | 7-7/8" | 32-1/2" | 5-7/8" |
| 3" | 7-1/2" | 7-7/8" | 32-1/2" | 4-7/8" |

ARB BRACKET LENGTHS - To achieve the desired ARB length, use all 3 bolts on the holes that are represented by black dots on the illustration of the long bracket piece. Insert them only on the holes that are represented by black dots on the short bracket piece. The long piece can be flipped to match the holes on the short piece.



12 INSTALLING THE MOUNTING BRACKETS

1) DETERMINE THE PROPER GEOMETRY FOR YOUR INSTALLATION. You can use the table below to write down your dimensions.

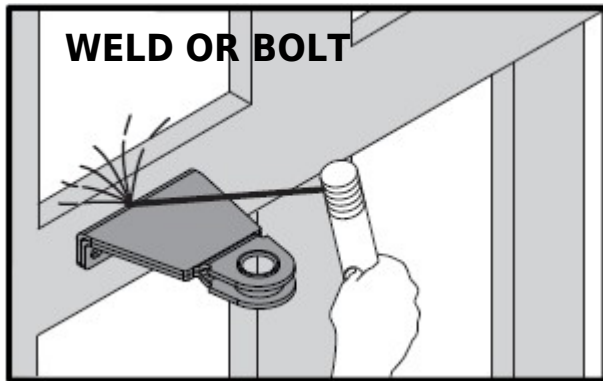
MY GEOMETRY

| | HINGE OFFSET | | | | |
|------------|--------------|---|---|---|-----|
| SIDE | OFFSET | A | B | C | ARB |
| RIGHT LEAF | | | | | |
| LEFT LEAF | | | | | |

2) BOLT AND/OR WELD THE POST BRACKET ACCORDING TO YOUR GEOMETRY.

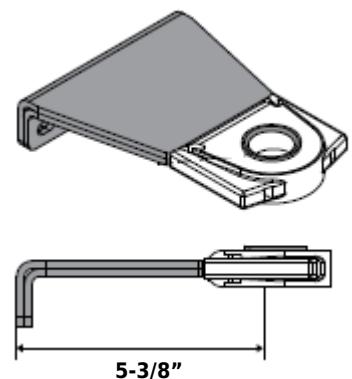
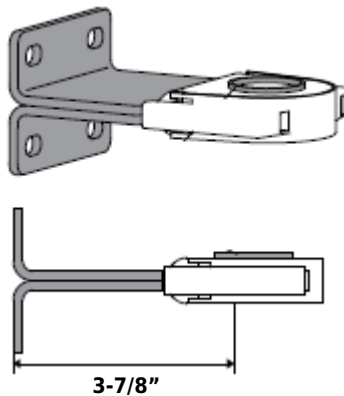
3) BOLT AND/OR WELD THE GATE BRACKET ACCORDING TO YOUR GEOMETRY.

Remember to measure the distance to **C** with a fully closed gate.



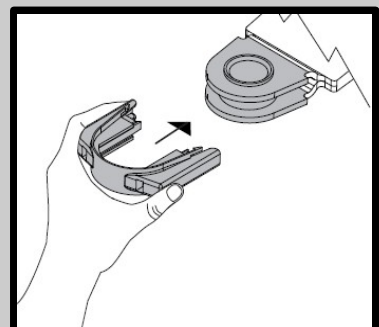
Phobos N BT gate bracket

Phobos N L BT gate bracket

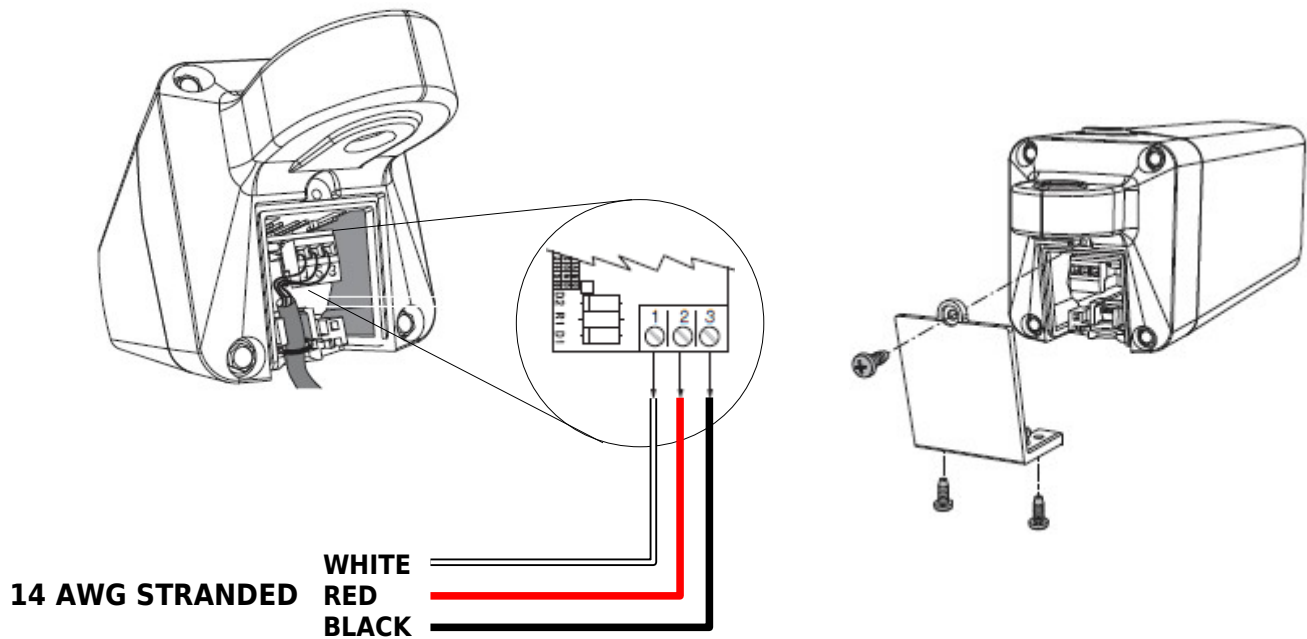


4) INSTALL THE MAGNET HOLDER OVER THE GATE

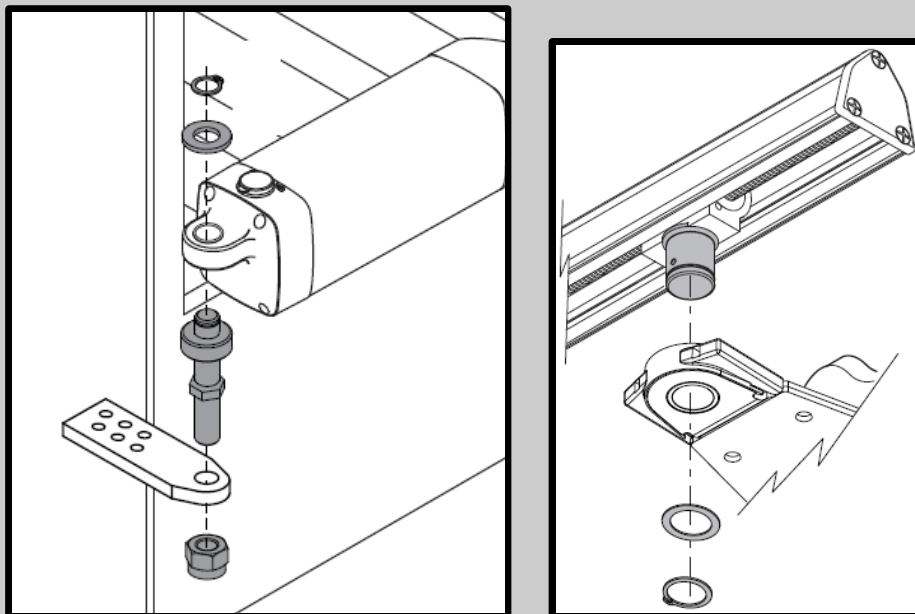
BRACKET. Do not install before or right after welding. Wait for bracket to cool down. Do not try to operate the actuators without the magnet holder in place.



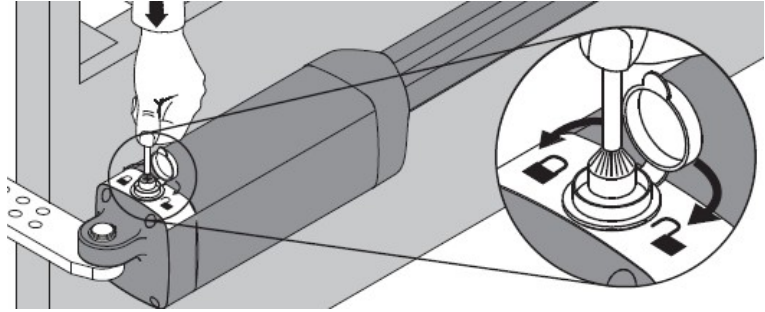
1) WIRE THE MOTORS - Before attaching the actuator to the mounting brackets, wire the motor cable and then install the protective cover as illustrated.



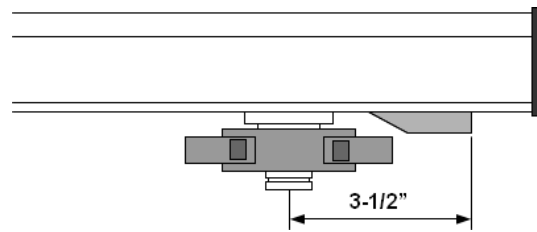
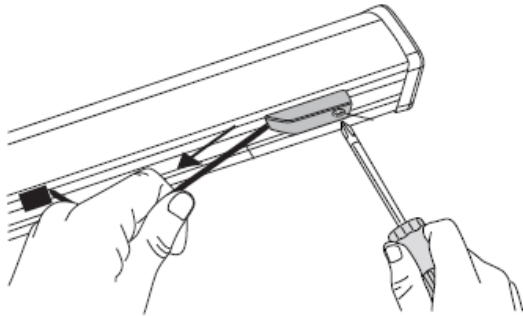
2) ATTACH THE ACTUATOR - Follow illustrations to install the actuator to the post and gate brackets.



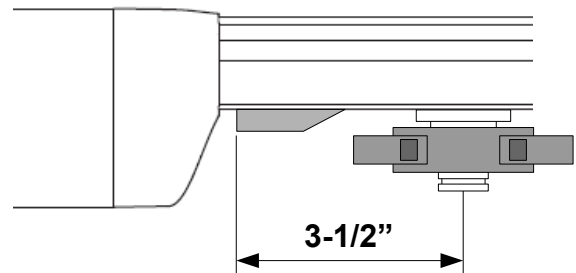
1) SET TO MANUAL OPERATION - Disengage the drive gear by using the triangular key and turning clockwise.



2) SET THE CLOSE LIMIT - Push the gate to its fully closed position. Remove the screw that holds the proximity sensor at the front end of the actuator. Slide it back so that the back end of the sensor housing is 3-1/2" from the center of the drive carriage and re-attach screw that secures sensor in place.



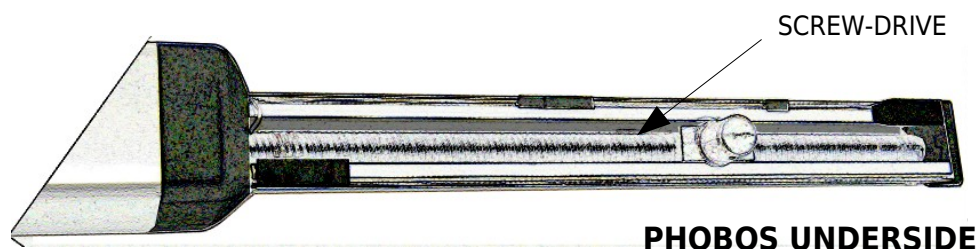
3) SET THE OPEN LIMIT - Push the gate to its fully open position. Remove the screw that holds the proximity sensor closest to the actuator body. Slide it forward so that the back end of the sensor housing is 3-1/2" from the center of the drive carriage and re-attach screw that secures sensor in place.



4) RE-ENGAGE THE MANUAL RELEASE - Use triangular key and turn counterclockwise to re-engage gears.

DISCONNECT THE ECOSOL BATTERIES BEFORE PERFORMING ANY MAINTENANCE OR REPAIR TO THE ACTUATORS

MAINTENANCE - Inspect the screw-drive gears for lubrication, debris and cleanness at least once a year. For actuators installed in areas where dirt and dust are a concern, maintenance should be done at shorter intervals. Keep the screw-drive lubricated using **BFT** grease **I101115**. Do not apply grease if gears are dirty. If necessary, clean with solvent before applying.



TROUBLESHOOTING

Motor does not run.

- | | | |
|-------------------------------|---|---|
| 1. Check ECOSOL system power. | 2. Inspect motor wire connections. Page 13. | 3. Check for gate obstructions and once cleared depress the reset button on ECOSOL enclosure. |
|-------------------------------|---|---|

Motor runs but gate does not move.

1. Verify that manual release lock is engaged. Page 14.

Gate moves but does not stop.

- | | |
|---|--|
| 1. Verify that the limit sensor are properly adjusted. Page 14. | 2. Make sure that the magnet holder is correctly installed. Page 12. |
|---|--|

REFER TO ECOSOL LIBRA UL-R INSTALLATION MANUAL FOR ADDITIONAL TROUBLESHOOTING



BFT USA

6100 Broken Sound Pkwy N.W.
Suite 14
Boca Raton FL 33487, U.S.A.
Toll Free (U.S. Only): 877-995-8155
Main Office: 561-995-8155
Fax: 561-995-8160
Email: info.bft@bft-usa.com

WELCOME TO WORLD OF TRUST

BFT is a world leading manufacturer of innovative and highly reliable electromechanical and hydraulic gate automation systems. We pride ourselves in providing outstanding customer service.

BFT is a global company in business since 1980 with subsidiaries in 15 countries worldwide. It is owned since 2004 by Somfy, the world leader in automation for window shades and shutters.

BFT US Inc, with its offices in Boca Raton, Florida offers, sales, logistics, technical support and customer service throughout USA, Canada and the Caribbean Islands



INSTALLED BY: _____
 PHONE: _____
 INSTALLATION DATE: _____
 INVOICE NUMBER: _____