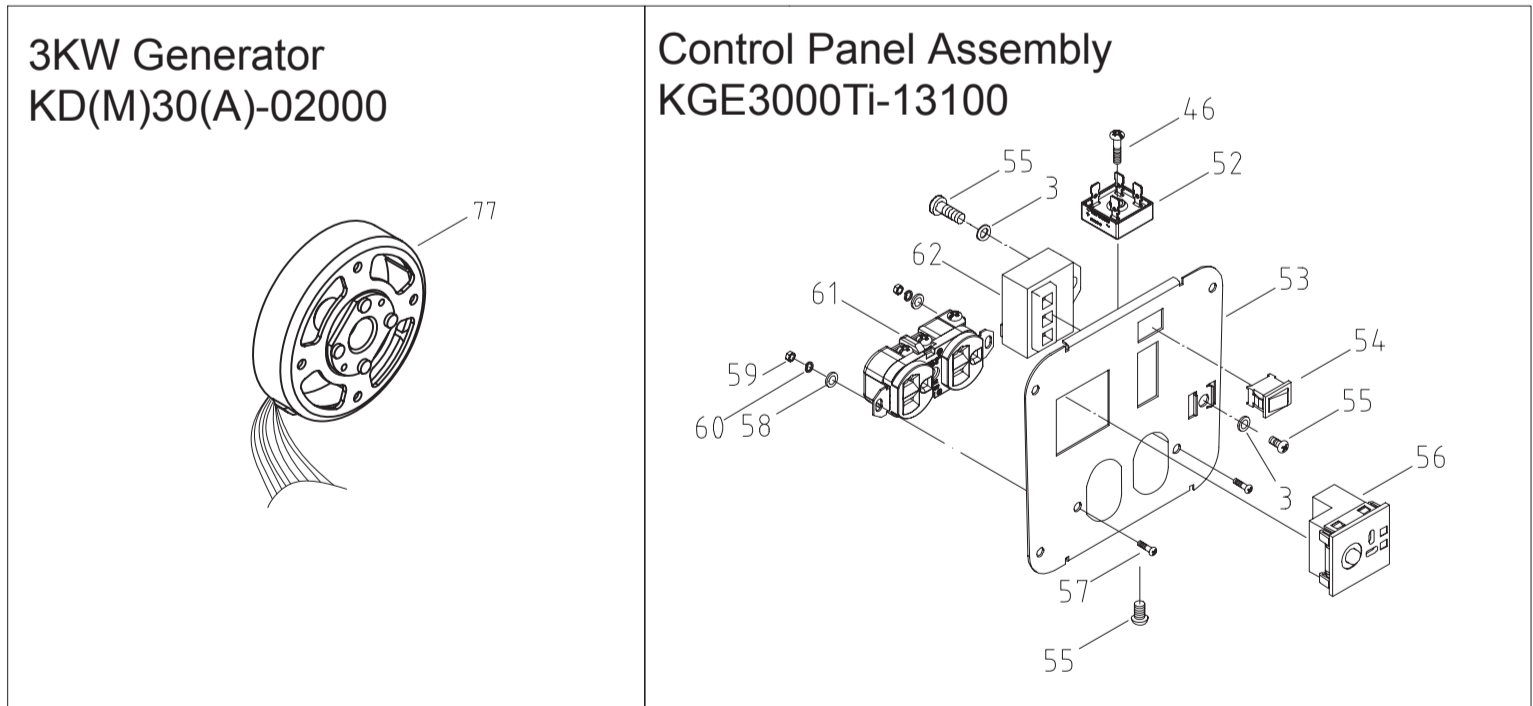
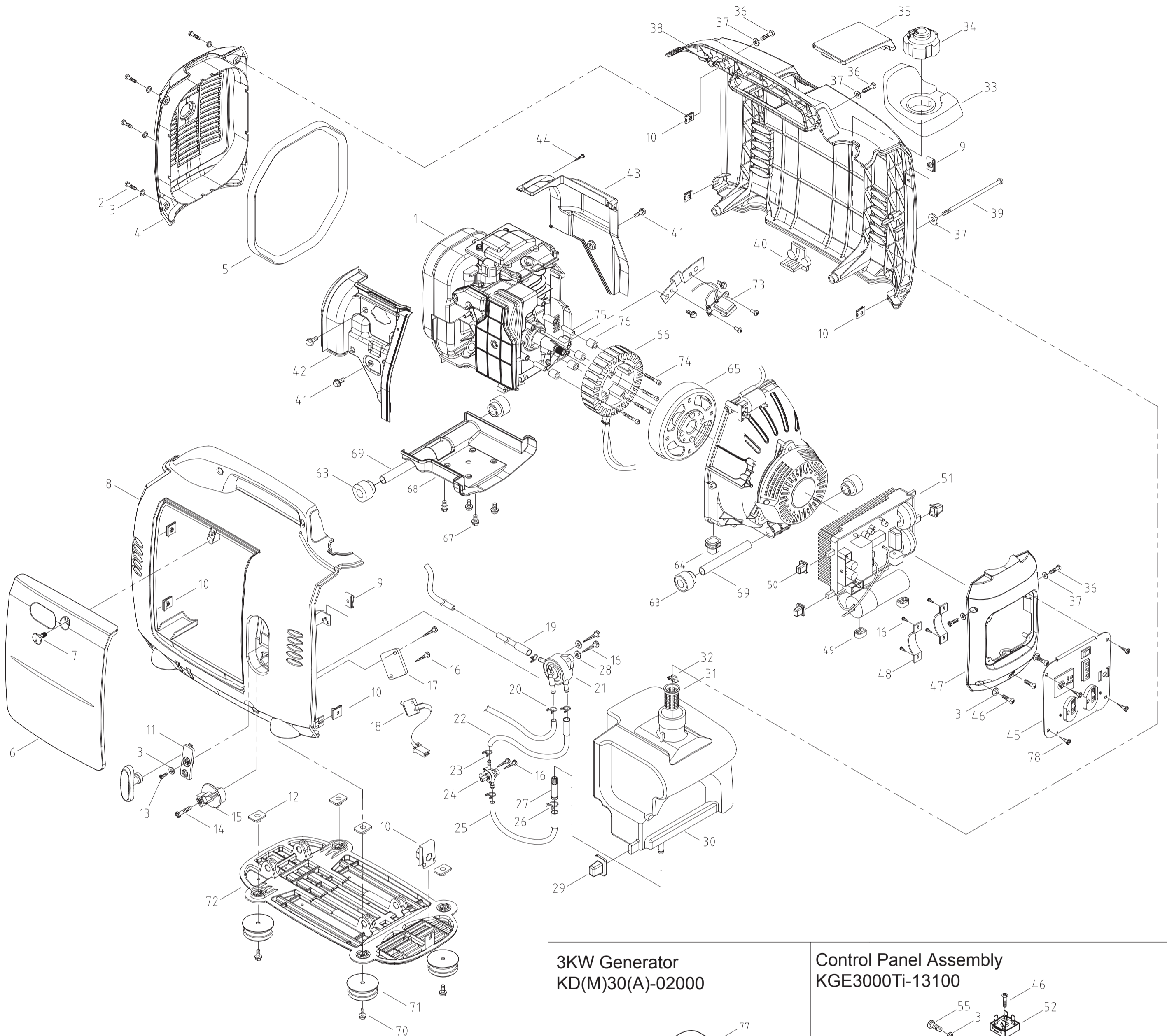


# ASSEMBLY AND PARTS DRAWING

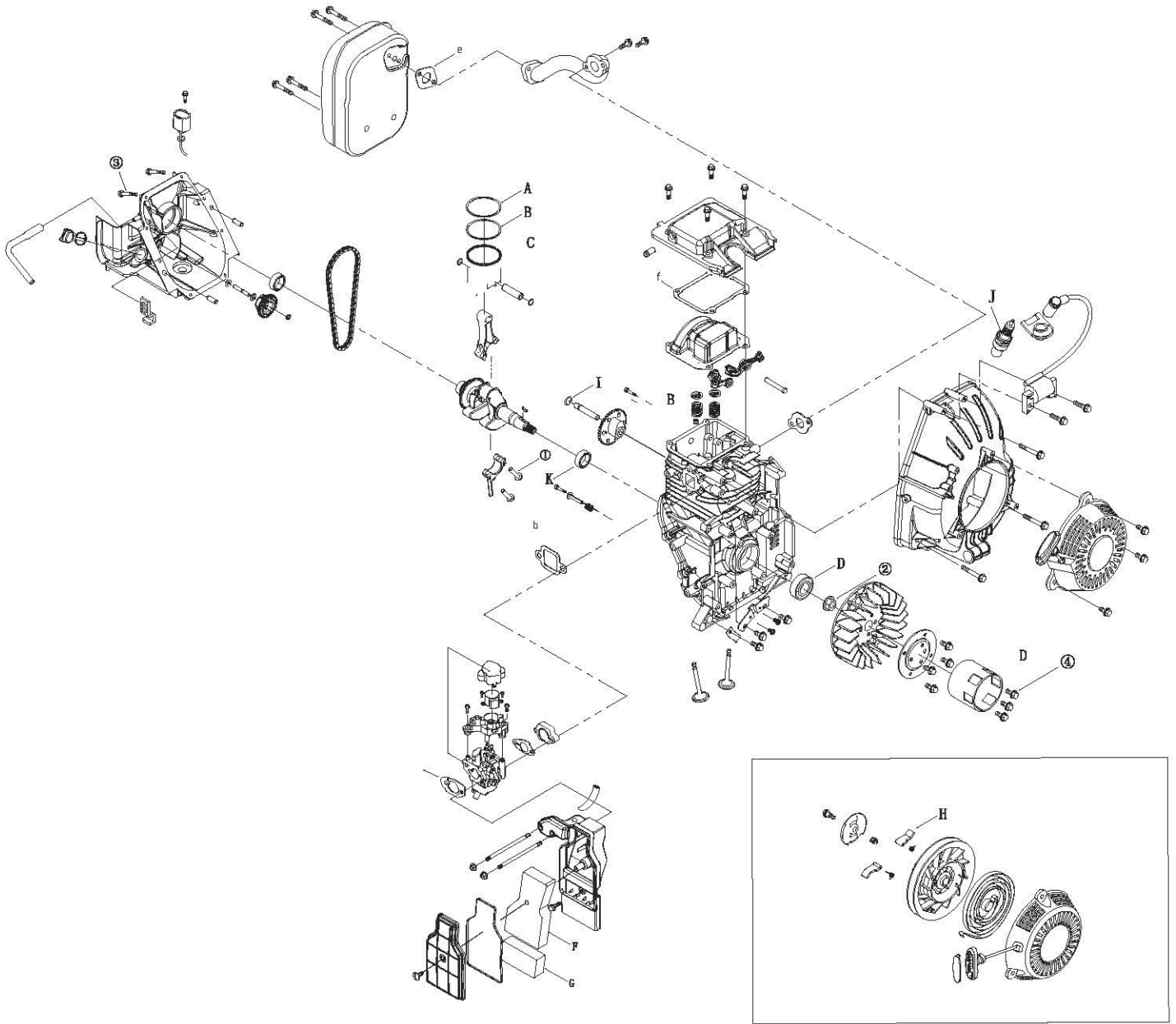
## IG2600



No.	Part No.	Description	Qty.	No.	Part No.	Description	Qty.	No.	Part No.	Description	Qty.	No.	Part No.	Description	Qty.	No.	Part No.	Description	Qty.
1	KG166-00000	KG166 Gasoline Engine Assembly	1	18	KW4A-Z6CSF200	Microswitch	1	35	KGE3000Ti-03600	Top Window	1	52	KBPC2510	Rectifier	1	69	KGE2000Ti-12102	Hollow Shaft	2
2	GB/T818-2000	Plus Screw M5X16	4	19	KGE3000Ti-07003a	Fuel Pipe	1	36	GB/T818-2000	Plus Screw M6X20	4	53	KGE3000Ti-13110	Control Panel	1	70	GB/T5789-2000	Hexagonal Flange Bolt M6X20	4
3	GB/T97.1-2002	Washer 5	9	20	KGE1000Ti-07007	Hoop 9	3	37	GB/T97.1-2002	Washer 6	6	54	RF-1003-BB2	Smart Switch	1	71	KGE2000Ti-03004	Foot Gasket	4
4	KGE3000Ti-03200	Rear Cover and Inlay	1	21	KGE1000Ti-07100	Fuel Vacuum Pump Parts	1	38	KGE3000Ti-03300	Right Shell and Inlay	1	55	GB/T818-2000	Plus Screw M5X12	3	72	KGE3000Ti-03700a	Bottom Plate and Inlay	1
5	KGE3000Ti-03001	Rear Cover Seal Strip	1	22	KGE2000Ti-07002	Fuel Pipe	1	39	KGE3000Ti-03002	Hexagonal Groove Bolt	2	56	WZ-22	DC Receptacle	1	73	KGE3000Ti-13601	Trigger	1
6	KGE3000Ti-03500	Side Door Subassembly	1	23	KGE1000Ti-07006	Hoop 7	2	40	KGE3000Ti-03012	Cross Protect Bracket of Right Shell	1	57	GB/T818-2000	Plus Screw M4X16	2	74	GB/T70.1-2000	Inner Hexagonal Column Screw M6X60	4
7	KGE3000Ti-00006	Screw M6 (Blacken)	1	24	KGE1000Ti-07300	Oil Switch Assembly	1	41	GB/T5789-2000	Hexagonal Flange Bolt M6X12	3	58	GB/T97.1-2002	Washer 4	2	75	KD30-02205	Stator Location Pin	2
8	KGE3000Ti-03400	Left Shell and Inlay	1	25	KGE3000Ti-07001	Fuel Pipe	1	42	KGE3000Ti-04200	Inlet Side Deflector	1	59	GB/T41-2000	Hexagonal Nut M4	2	76	KD30-02206	Stator Location Pin	4
9	KGE3000Ti-03008	Plug-in M6	2	26	KGE1000Ti-07012	Fuel Pipe	1	43	KGE3000Ti-04100	Exhaust Side Deflector	1	60	GB/T93-1987	Elastic Washer 4	2	77	KD(M)30(A)-02000	Motor Assembly	1
10	KGE3000Ti-03008	Plug-in M5	7	27	KGE1000Ti-07004	Strainer	1	44	GB/T845-1985	Screw ST2.9X12	1	61	5-20R	A-type Doublet Receptacle	1	78	GB/T845-1985	Screw ST3.8X16 (Blacken)	4
11	KGE1000Ti-06102	Handle Fixed Seat	1	28	GB/97.1-2002	Washer 4	2	45	KGE3000Ti-13100	Control Panel Assembly	1	62	K1-DH0-30	Three-in-One Ignitor	1	79			
12	KGE3000Ti-03009	Plug-in	4	29	KGE3000Ti-03014	Shock Absorption Sleeve of Fuel Tank	1	46	GB/T818-2000	Plus Screw M5X20	4	63	KGE3000Ti-12101a	Shock Absorption Sleeve	4	80			
13	GB/T818-2000	Plus Screw M5X12 (Blacken)	1	30	KGE3000Ti-07100	Fuel Tank	1	47	KGE3000Ti-03100	Front Cover and Inlay	1	64	KGE2000Ti-04400	Seal Gasket of Motor Wire Outlet	1	81			
14	KGE1000Ti-07304	Screw	1	31	KGE1000Ti-07011	Filter Cup	1	48	KGE3000Ti-13003	Pressure Strip	2	65	KD(M)30(A)-02200	Rotor Assembly	1	82			
15	KGE1000Ti-07008	Oil Switch Handle	1	32	KGE1000Ti-07013	Oil Scale	1	49	KGE1000Ti-00008	Shock Pad	2	66	KD(M)30(A)-02100	Stator Assembly	1	83			
16	GB/T845-1985	Screw ST3.8X16	10	33	KGE3000Ti-07005	Fuel Tank Gasket	1	50	KGE1000Ti-00004	Rubber Square Protect Bracket	3	67	GB/T5789-2000	Hexagonal Flange Bolt M8X16	4	84			
17	KGE3000Ti-03017	Micro switch Baffle	1	34	KGE1000Ti-07200	Fuel Tank Cover Parts	1	51	DU25	Inverter Unit	1	68	KGE3000Ti-04300	Lower Air Duct Deflector	1	85			

# ASSEMBLY AND PARTS DRAWING

## KG166



### Easy Wearing Parts

No.	Part No.	Description	Qty.
A	KG171-04001	The 1st Air Ring	1
B	KG171-04002	The 2nd Air Ring	1
C	KG171-04003	Oil Ring Parts	1
D	KG160-01017	Oil Seal	1
E	KG160-01012	Inlet Valve Pipe Seal	1
F	KG171GT1-07103	Fine Filter Element	1
G	KG171GT1-07104	Rough Filter Element	1
H	KG240-12008	Pallet	2
I	KG105AGTi-06014	O-Seal Ring	1
J	QC/T430-1999	Spark Plug WR7DC	1

### Gasket

No.	Part No.	Description	Qty.
a	KG240-01016	Oil Ruler Gasket	1
b	KG171-01011	Inlet Pipe Gasket	1
c	KG171-01013	Carburetor Insulation Block Gasket	1
d	KG171-07003	Air Filter Gasket A	1
e	KG171GT1-08002	Muffler Gasket	1
f	KG171AGTi-01021	Respirator Plate Gasket	1

### Bearing

No.	Part No.	Description	Qty.
K	GB/T276-1994	Rolling Bearing 6205	2

### Tighten Torque for Main Bolts and Nuts

Unit: N.m

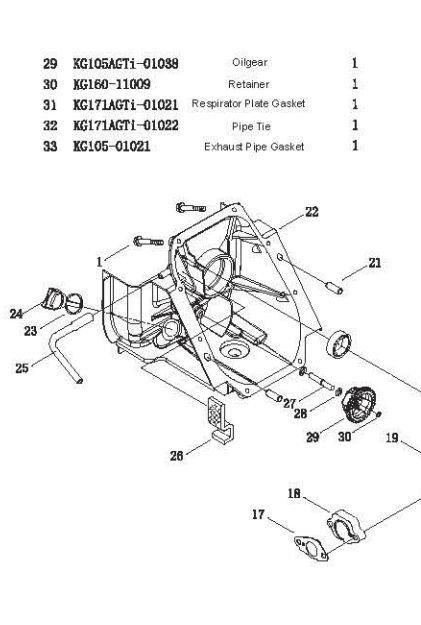
No.	Description	Torque
①	Connection Rod Bolt	14-16
②	Flywheel Nut	70-80
③	Crankcase Cover Bolt	10-12
④	Standard M6 Bolt (Nut)	8-10

### Oil Seal

No.	Part No.	Description	Qty.
D	KG160-01017	Oil Seal of Inlet Valve Pipe	1
E	KG160-01012	Oil Seal 32X20X6	1

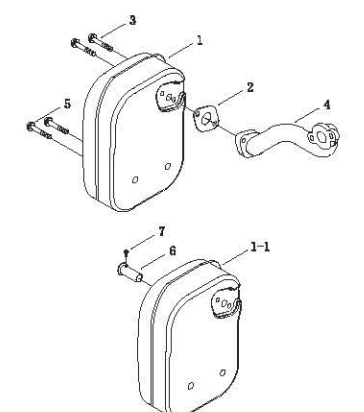
Cylinder Block Assembly (KG171AGTi-01000)

No.	Part No.	Description	Qty.
1	GB/T5789-2000	Hexagonal flange bolt M6X25	12
2	KG171AGTi-01018	Cylinder cover	1
3	KG171AGTi-01200	Respirator Parts	1
4	KG105-01006	Valve clearance adjusting screw	2
5	KG105-01005	Valve clearance adjusting nut	2
6	KG171AGTi-01301	Exhaust valve rocker arm	1
7	KG171AGTi-01401	Intake valve rocker arm	1
8	KG105AGTi-01007	Rocker arm shaft	1
9	KG160-02001	Inlet Valve Spring Seat	2
10	KG160-02006	Valve spring	2
11	KG160-02012	Intake valve conducting pipe seal	1
12	GB/T5789-2000	Hexagonal flange bolt M6X20	2
13	KG171AGTi-01100	Cylinder mechanism parts	1
14	KG160-01017	Oil seal (41.25X25X7)	1
15	KG171-01003	Exhaust valve	1
16	KG160-02004	Inlet valve	1
17	KG171-01013	Carburetor insulation block gasket	1
18	KG171AGTi-01012	Carburetor insulation block	1
19	KG171-01011	Inlet port gasket	1
20	GB/T276-1994	Rolling bearing 6205	2
21	KG105-01003	Crankcase box cover location pin	2
22	KG171AGTi-01001	Crankcase box cover	1
23	KG240-01016	Oil dipstick washer	1
24	KG171-01017	Oil dipstick	1
25	KG171AGTi-01019a	Negative pressure pipe	1
26	KG55-01042	Oil Gas Separation Net	1
27	KG105-01039a	Oilgear shaft	1
28	KG160-11013	Speed restriction gear washer	2



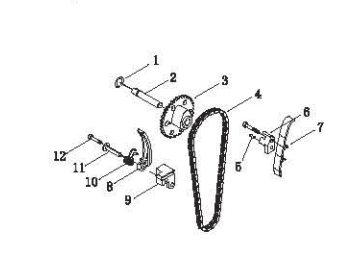
Exhaust System (KG171GTi-08000)

No.	Part No.	Description	Qty.
1	KG171GTi-08100	Welding Part of Muffler	1
1-1	KG171GTi-08100a	Welding Part of Muffler	1
2	KG171GTi-08002	Muffler Gasket	1
3	GB/T5789-2000	Hexagonal Flange Bolt M6X80	2
4	KG171GTi-08001a	Exhaust Pipe	1
5	GB/T5789-2000	Hexagonal Flange Bolt M 8X80	2
6	KG171GTi-08190	Spark Catcher	1
7	GB/T846-1985	Plus Screw ST3.5X7	1



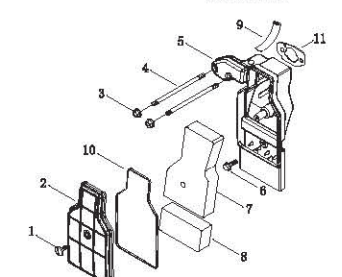
Distribution and Decompression Mechanism Assembly (KG171AGTi-06000)

No.	Part No.	Description	Qty.
1	KG105AGTi-06014	O-ring seal(6x2)	1
2	KG171AGTi-06013	Drive shaft	1
3	KG171AGTi-06100	Cam timing drive chain	1
4	KG171-06002	Rolling chain	1
5	KG55-01004	Location pin of crankcase cover	1
6	KG105-06012	Clip block	1
7	KG171-06003	Chain pallet	1
8	KG171-06001	Chain clamp plate	1
9	KG171-06011	Bearing plate	1
10	KG105-06008a	Strain spring	1
11	KG105-06009	Strain spring pin shaft	1
12	GB/T70.1-2000	Screw M6X25	2



Inlet System (KG171AGTi-07000)

No.	Part No.	Description	Qty.
1	KG171GTi-07102	Fasten screw	1
2	KG171GTi-07101	Air cleaner cover	1
3	GB/T6177.1-2000	Hexagonal flange nut M6	2
4	KG171GTi-07002a	Tighten stud of inlet port	2
5	KG171AGTi-07110	Air cleaner case assembly	1
6	GB/T5789-2000	Hexagonal flange bolt M5X16	1
7	KG171GTi-07103	Refined air cleaner element	1
8	KG171GTi-07104	Rough air cleaner element	1
9	KG171AGTi-07001	Ventilation pipe	1
10	KG171GTi-07105	Seal gasket	1
11	KG171-07003	Air cleaner gasket	1



Ignition System (KG171AGTi-14000)

No.	Part No.	Description	Qty.
1	QC/T430-1999	Spark Plug WR70C	1
2	KG105-14100	Ignition Coil	1
3	KG171GTi-14200	Oil Alarm	1
4	KG105AGTi-14101	Seal Sheath	1
5	KG171GTi-14002	Installation Plate of Ignition Trigger	1
6	GB/T818-2000	Plus Screw M4X8	2
7	KG171GTi-14003	Motor Wire Pressure Plate	1
8	GB/T5789-2000	Hexagonal Flange Bolt M6X12	1
9	GB/T5789-2000	Hexagonal Flange Bolt M6X16	5
10	KG105-14201	O-Seal Ring (11.7X2.5)	1



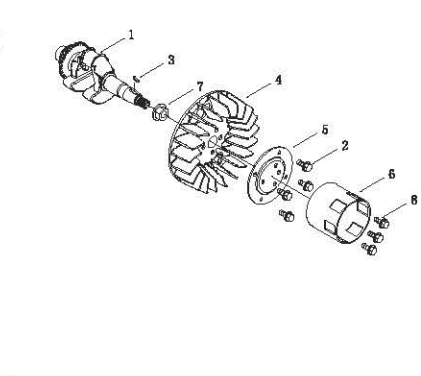
Carburetor Assembly (KG171GTi-10000)

No.	Part No.	Description	Qty.
1	KG55-10002	Motor Bracket Cover	1
2	GB/T818-2000	Plus Screw M3X5	2
3	GB/T818-2000	Plus Screw M4X10	2
4	KG55-10001	Motor Bracket	1
5	24BYJ-24	Stepping Motor	1
6	P20-000	Carburetor Parts	1
7	P20-028	Choke Valve Handle	1
8	P20-009/P20-009a	Main Metering Jet	1



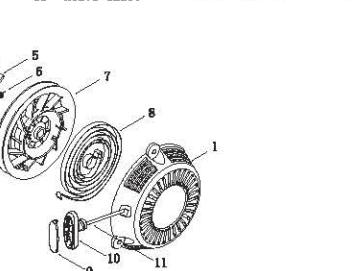
Crankshaft Assembly (KG171-05000a)

No.	Part No.	Description	Qty.
1	KG171GTi-06100	Crankshaft	1
2	GB/T5789-2000	Hexagonal Flange Bolt M6X16	4
3	KG160-05007	Key	1
4	KG3300T1-05001	Fan	1
5	KG171GTi-05006	Claw Disc Bracket	1
6	KG160-05005a	Starting Claw Disc	1
7	KG160-05004	Flywheel Nut	1
8	GB/T5789-2000	Hexagonal Flange Bolt M6X12	3



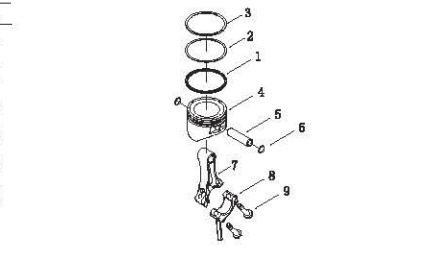
Recoil Starter and Air Conduit Cover Assembly (KG171GTi-12000)

No.	Part No.	Description	Qty.
1	KG171-12110	Starter Outer Shell Part	1
2	KG240-12006	Tighten Bolt	1
3	KG240-12005	Pallet Guide Plate	1
4	KG240-12004	Friction Spring	1
5	KG240-12008	Pallet	2
6	KG240-12007	Pallet Spring	2
7	KG160-12002a	Starter Reel Shaft	1
8	KG160-12003	Recoil Starter Spring	1
9	KG105-12202	Starting Handle Cover	1
10	KG105-12201	Starting Handle	1
11	KG160-12009	Starting Pulling Rope	1
12	GB/T5789-2000	Hexagonal Flange Bolt M6X16	3
13	KG3000T1-04001	Air Conduit Cover Part	1
14	GB/T5789-2000	Hexagonal Flange Bolt M6X45	1
15	GB/T5789-2000	Hexagonal Flange Bolt M6X55	2
16	KG171-12100	Recoil Starter Part	1



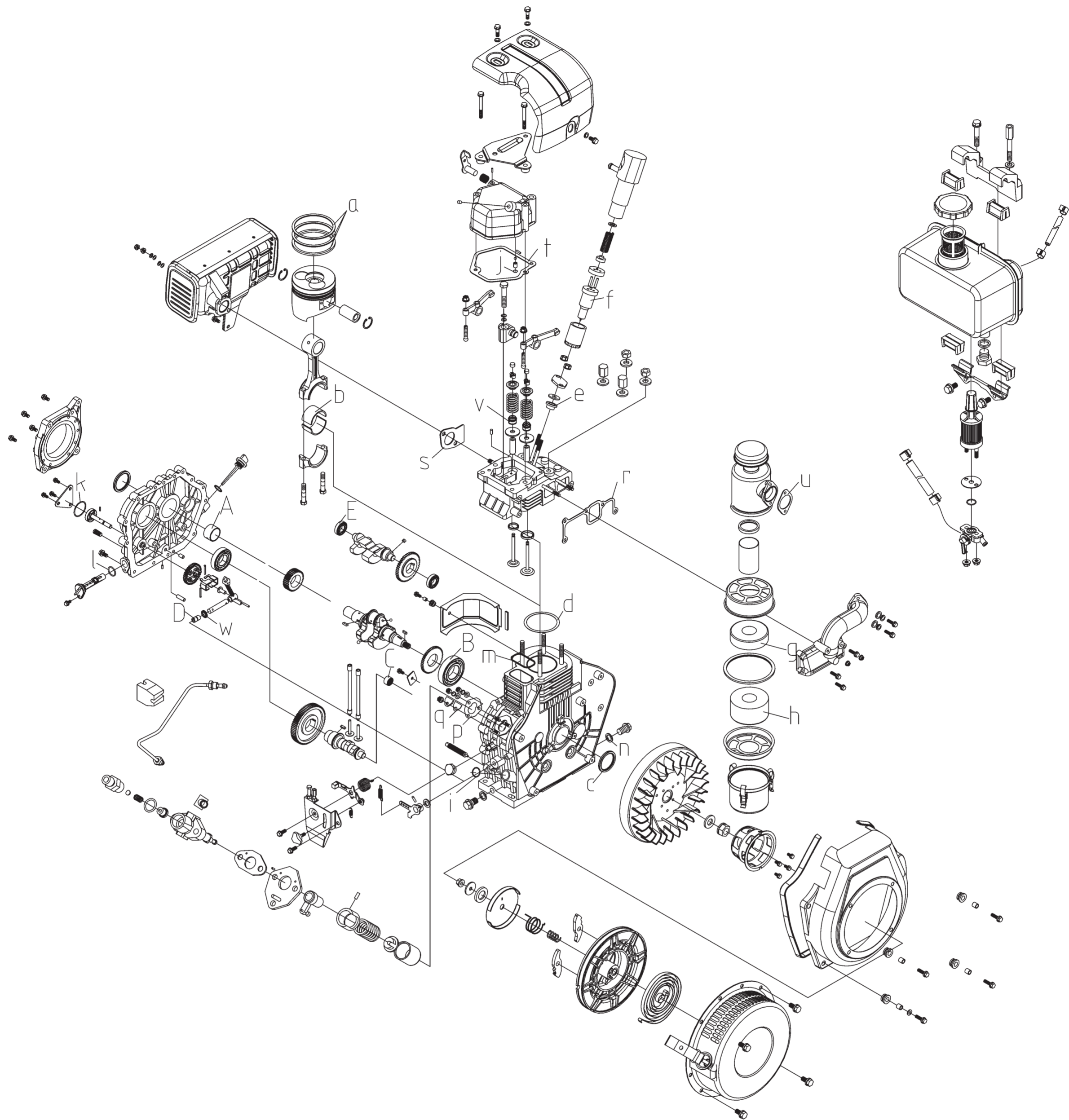
Piston Connection Rod Assembly (KG171-04000)

No.	Part No.	Description	Qty.
1	KG171-04003	Oil ring parts	1
2	KG171-04002	First air ring	1
3	KG171-04001	Second air ring	1
4	KG171-04004	Piston	1
5	KG136L-04004	Piston pin	1
6	KG135L-04005	Retainer	2
7	KG171-04101	Connecting rod body	1
8	KG171-04102	Connecting rod cover	1
9	KG160-04203	Connecting rod bolt	2



# ASSEMBLY AND PARTS ALBUM

## KG166 Diesel engine



### Easy-destroyed parts

No.	Part No.	Description	Qty.
A	KG171-04001	No. 1 compression ring	1
B	KG171-04002	No. 2 compression ring	1
C	KG171-04100	Oil-control ring	1
D	KG160-01017	Oil seal	1
E	KG160-01012	Intake valve guide pipe oil seal	1
F	KG171GTi-07103	Fine filter element	1
G	KG171GTi-07104	Coarse filter element	1
H	KG240-12008	Pawl	2
I	KG105AGTi-06014	O seal ring	1
J	QC/T430-1999	Spark plug F6RTC	1

### Bearing

No.	Part No.	Description	Qty.
K	GB/T276-1994	Rolling bearing 6205	2

### Oil seal

No.	Part No.	Description	Qty.
D	KG160-01017	Oil seal	1
E	KG160-01012	Intake valve guide pipe oil seal	1

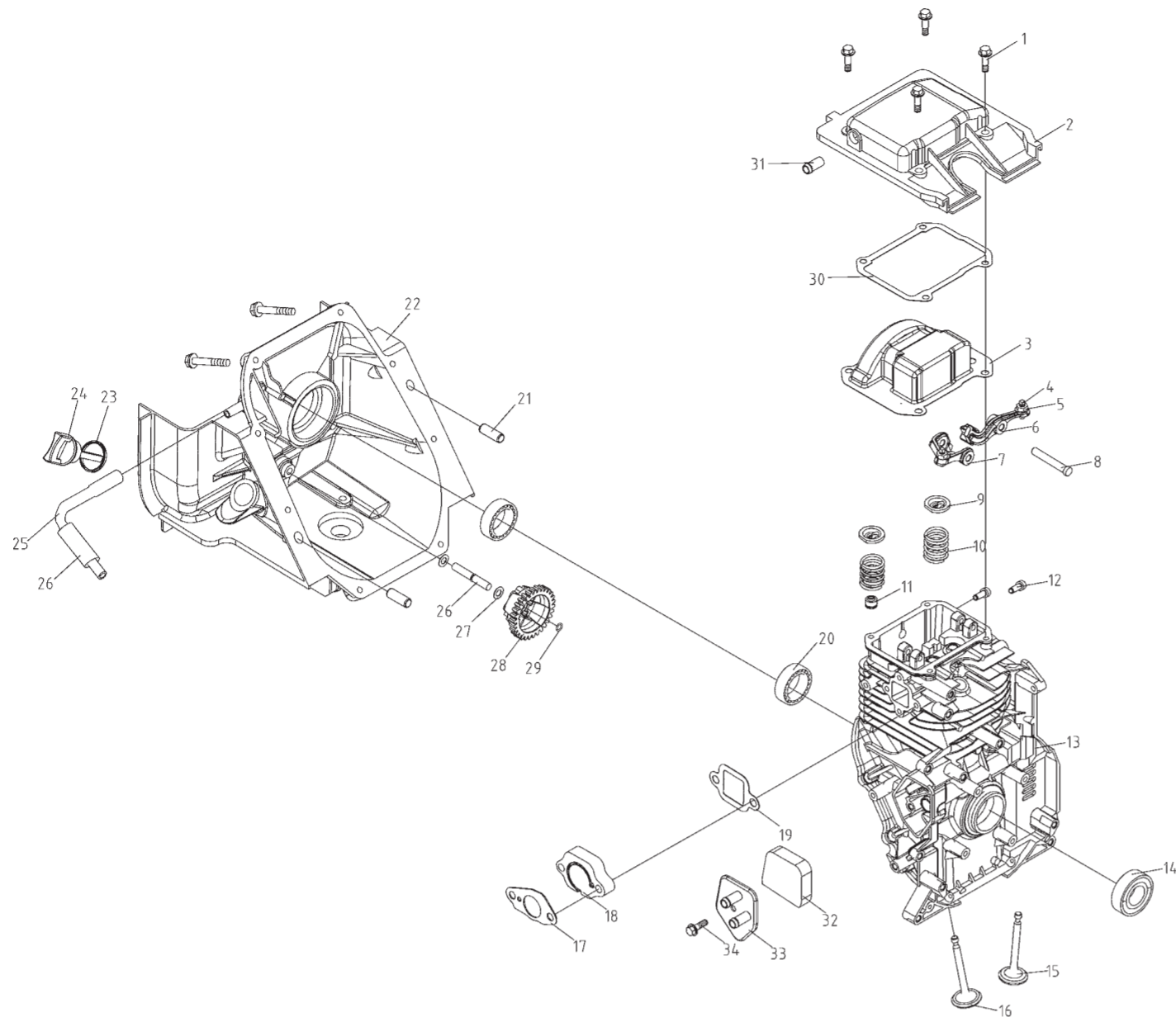
### Gasket

No.	Part No.	Description	Qty.
a	KG240-01016	Oil dipstick gasket	1
b	KG171-01011	Air intake pipe gasket	1
c	KG171-01013	Carburetor insulation block gasket	1
d	KG171-07003	Air filter gasket	1
e	KG171GTi-08002	Muffler gasket	1
f	KG171AGTi-01021	Breather clapboard gasket	1

### Tightening torque for main nuts and bolts

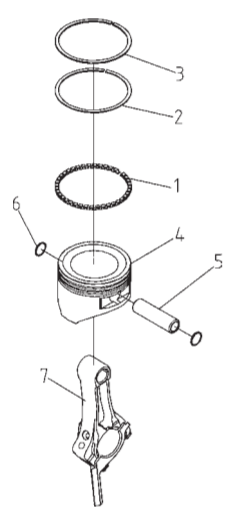
Unit: N.m

No.	Description	Torque
①	Connecting rod bolt	14-16
②	Flywheel nut	70-80
③	Crankcase cover bolt	10-12
④	Standard M6 bolt/nut	8-10



**Engine block assy (KG171AGTI-01000)**

No. Part No.	Description	Qty.
1	GB/T5789-1986 Bolt M6X25	12
2	KG171AGTI-01018 Cylinder head cover	1
3	KG171AGTI-01200 Breather	1
4	KG105-01006 Adjusting screw of valve clearance	2
5	KG105-01005 Adjusting nut of valve clearance	2
6	KG171AGTI-01301 Exhaust valve rocker arm	1
7	KG171AGTI-01401 Intake valve rocker arm	1
8	KG105AGTI-01007 Rocker arm shaft	1
9	KG160-02001 Intake valve spring seat	2
10	KG160-02006 Valve spring	2
11	KG171AGTI-01023 Intake valve guide pipe oil seal	1
12	GB/T70.1-2000 Screw M6X20	2
13	KG171AGTI-01100 Cylinder	1
14	KG160-01017 Oil seal	1
15	KG171-01003 Exhaust valve rocker arm	1
16	KG160-02004 Intake valve	1
17	KG171-01013 Carburetor insulation block gasket	1
18	KG171GTI-01012 Carburetor insulation block	1
19	KG171-01011 Air inlet gasket	1
20	GB/T276-1994 Rolling bearing 6205	2
21	KG105-01003 Dowel pin of crankcase cover	2
22	KG171AGTI-01001 Crankcase cover	1
23	KG240-01016 Oil dipstick gasket	1
24	KG171-01017 Oil dipstick	1
25	KG171GTI-01019a Negative pressure pipe	1
26	KG105-01039a Oil splash gear shaft	1
27	KG160-11013 Speed limit gear gasket	2
28	KG105AGTI-01038 Oil splash gear	1
29	KG160-11009 Retainer	1
30	KG171AGTI-01021 Breather clapboard gasket	1
31	KG171AGTI-01022 Pipe connector	1
32	KG55-01042 Oil-gas separator net	1
33	KG171AGTI-01010 Breather cover plate	1
34	GB/T5789-1986 Bolt M6X12	1

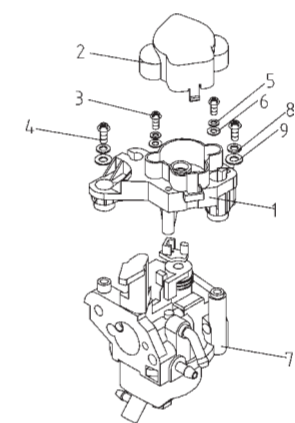
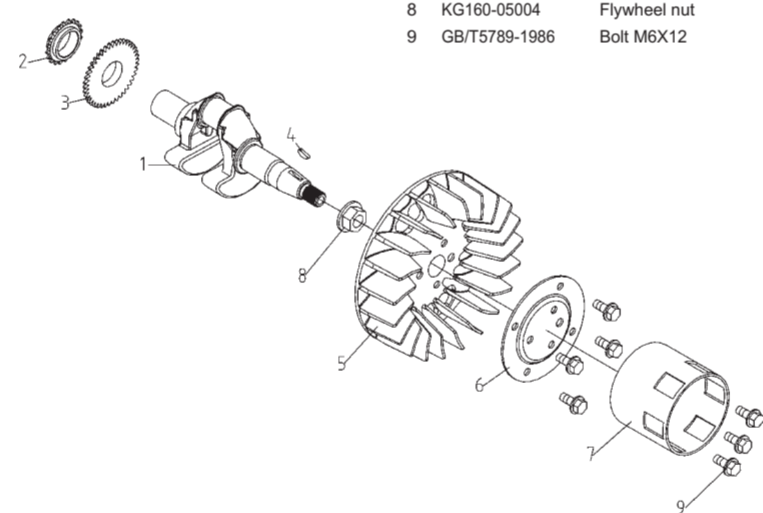


**Piston and connecting rod assy (KG171-04000)**

No. Part No.	Description	Qty.
1	KG171-04003 Oil-control ring	1
2	KG171-04002 No. 2 compression ring	1
3	KG171-04001 No. 1 compression ring	1
4	KG171-04004 Piston	1
5	KG135L-04004 Piston pin	1
6	KG135L-04005 Retainer	2
7	KG171-04100 Connecting rod	1

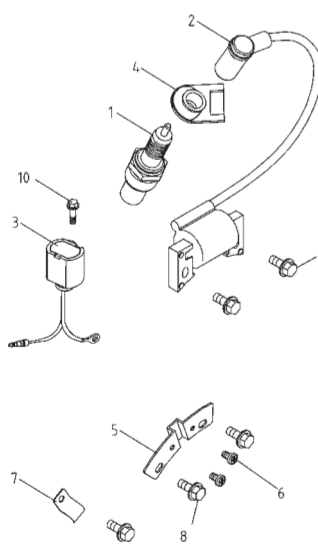
**Crankshaft assy (KG171GTI-05000)**

No. Part No.	Description	Qty.
1	KG171GTI-05001 Crankshaft	1
2	KG171-05002 Crankshaft timing gear	1
3	KG171-05003 Driving gear	1
4	KG160-05007 Key	1
5	KG3300TI-05001 Fan	1
6	KG171GTI-05006 Starting claw bracket	1
7	KG160-05005a Starting claw	1
8	KG160-05004 Flywheel nut	1
9	GB/T5789-1986 Bolt M6X12	7



**Carburetor assy (KG171GTI-10000)**

No. Part No.	Description	Qty.
1	KG55-10001 Alternator bracket	1
2	KG55-10002 Alternator bracket cover	1
3	GB/T818-2000 Screw M3X5	2
4	GB/T818-2000 Screw M4X10	2
5	GB/T93-1987 Spring washer 3	2
6	GB/T848-2002 Washer 3	2
7	P20-000 Carburetor	1
8	GB/T93-1987 Spring washer 4	2
9	GB/T848-2002 Washer 4	2

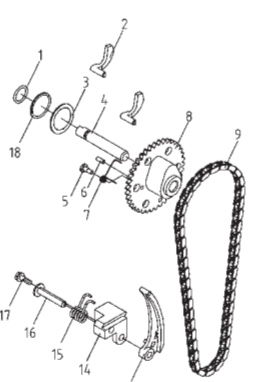


**Ignition system (KG171AGTI-14000)**

No. Part No.	Description	Qty.
1	QC/T430-1999 Spark plug WR 7DC	1
2	KG105-14100 Ignition coil	1
3	KG171GTI-14200 Oil alarmer	1
4	KG105AGTI-14101 Seal bushing	1
5	KG171GTI-1A002 Mounting plate of ignition trigger	1
6	GB/T818-2000 Screw M4X10	2
7	KG171GTI-14003 Pressing plate of alternator cable	1
8	GB/T5789-1986 Hexagon headed bolt M6X12	2
9	GB/T5789-1986 Hexagon headed bolt M6X16	3

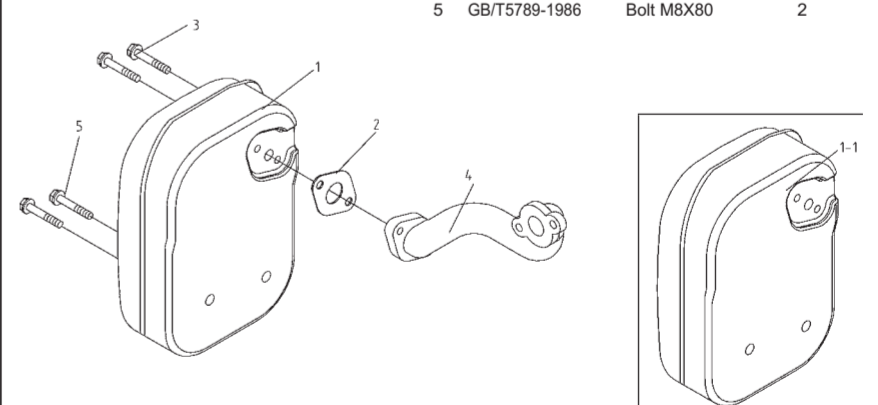
**Valve and decompressor mechanism assy (KG171AGTI-06000)**

No. Part No.	Description	Qty.
1	KG105AGTI-06014 O seal ring	1
2	KG171AGTI-06102 Decompression block	1
3	KG105AGTI-06104 Gasket	1
4	KG171AGTI-06013 Driving shaft	1
5	KG105-06007 Return spring pin shaft	1
6	GB/T879.1-2000 Pin 3X10	1
7	KG105-06006 Return spring	1
8	KG171AGTI-06101 Cam timing driving chain	1
9	KG171-06002 Sleeve roller chain	1
10	KG55-01004 Dowel pin of crankcase cover	1
11	KG105-06012 Stuck block	1
12	KG171-06003 Chain pallet	1
13	KG171-06001 Chain pressure-plate	1
14	KG171-06011 Stop block	1
15	KG105-06008a Tension spring	1
16	KG105-06009 Tension spring pin shaft	1
17	GB/T70.1-2000 Screw M6X25	2
18	GB/T894.1-1986 Retainer 16	1



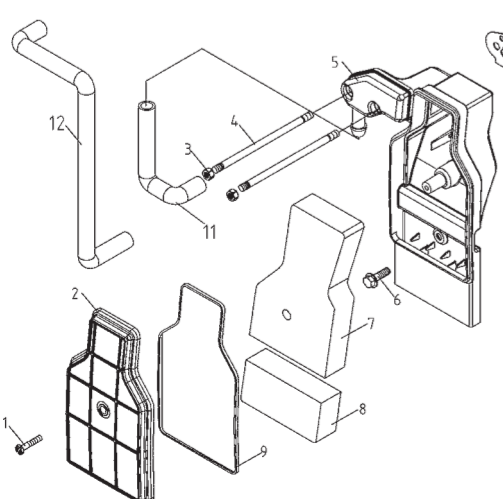
**Exhaust system (KG171GTI-08000)**

No. Part No.	Description	Qty.
1	KG171GTI-08100 Muffler	1
1-1	KG171GTI-08100a Muffler	1
2	KG171GTI-08002 Muffler gasket	1
3	GB/T5789-1986 Bolt M6X75	2
4	KG171GTI-08001a Exhaust pipe	1
5	GB/T5789-1986 Bolt M8X80	2



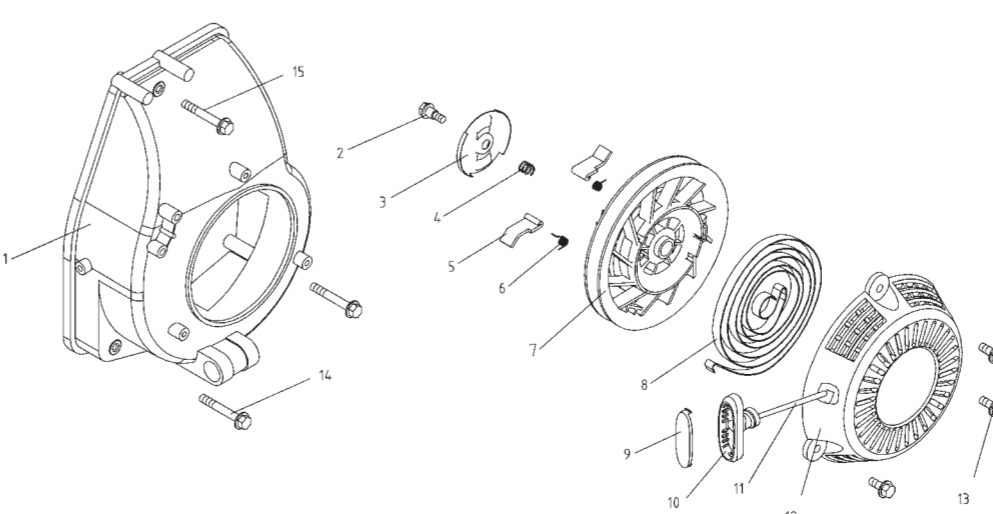
**Air intake system (KG171AGTI-07000)**

No. Part No.	Description	Qty.
1	KG171GTI-07102 Tightening screw	1
2	KG171GTI-07101 Air filter cover	1
3	GB/T6177.1-2000 Nut M6	2
4	KG171GTI-07002a Tightening bolt of air inlet	2
5	KG171GTI-07110 Air filter housing	1
6	GB/T5789-1986 Bolt M5*16	1
7	KG171GTI-07103 Fine filter element	1
8	KG171GTI-07104 Coarse filter element	1
9	KG171GTI-07105 Seal gasket	1
10	KG171-07003 Air filter gasket	1
11	KG171AGTI-07005 Air pipe of air filter	1
12	KG171AGTI-07004 Air pipe of cylinder head	1



**Recoil starter and fan cover (KG171GTI-12000)**

No. Part No.	Description	Qty.
1	KG171GTI-12001 Fan cover	1
2	KG240-12006 Tightening bolt	1
3	KG240-12005 Pawl guide plate	1
4	KG240-12004 Friction spring	1
5	KG240-12008 Pawl	2
6	KG240-12007 Pawl spring	2
7	KG160-12002Q Starter reel	1
8	KG160-12003 Recoil starter spring	1
9	KG105-12202 Starting handle cover	1
10	KG105-12201 Starting handle	1
11	KG160-12009 Starting stay cord	1
12	KG171-12110 Starter housing	1
13	GB/T5789-1986 Bolt M6X16	3
14	GB/T5789-1986 Bolt M6X55	2
15	GB/T5789-1986 Bolt M6X45	1



# 11. Электрическая схема

